

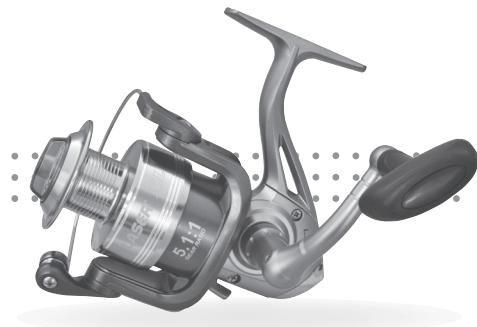
LASER[®] XL

LXL10, LXL20, LXL30, LXL40

Driven by innovation –
Fueled with Passion

Feel the Difference! LASER[®] XL

Spinning Reel



Reel Specifications

Model	Weight (oz.)	Line Capacity (yd./lb.)	Gear Ratio	RPT*
LXL10	8.4	150/6	5.1:1	24"
LXL20	8.5	150/8	5.1:1	25"
LXL30	10.2	165/10	5.1:1	26"
LXL40	10.5	190/12	5.1:1	27"

*Recovery per turn.

FEATURES:

- Rugged graphite body and rotor
- Smooth 4-bearing system with 3 ball bearings and Zero Reverse one-way clutch bearing
- Durable stainless steel bail
- Anodized aluminum spool
- Folding handle with performance handle knob
- Adjustable for right or left hand retrieve
- Speed Lube™ for exceptional smoothness and uninterrupted performance in all weather conditions from extreme heat to freezing cold

4 Bearing System

ATTENTION BRAIDED LINE USERS!

If your Lew's[®] Spinning reel has a knurled spool or rubber arbor (designed for tying braided line directly to the spool), you can tie braid directly to your spool using a uni-knot.

If your Lew's[®] spinning reel does not have a knurled spool or rubber arbor, you will need to first tie on and spool at least 20 revolutions of monofilament line, with either a back-to-back uni-knot or an Albright knot.

Continue to spool your reel as normal, keeping strong tension on the line to ensure the line is firmly wound onto the spool to keep from "digging in" to underlying line layers when pressure is put on the line from fighting fish.

FAILURE TO PROPERLY SPOOL BRAIDED LINE ONTO YOUR REELS SPOOL WILL RESULT IN LINE SLIPPAGE, AND THE IMPRESSION YOUR DRAG IS NOT WORKING PROPERLY.

Maintenance and Care

While applying lubricant to your Laser[®] XL Speed Spin[®] reel, avoid using multi-purpose oil. Use lightweight silicone based oils or greases made for fishing reels. Apply oil to all bearings and the main shaft. Apply grease to the bushings, pinion gears and main gears.

After usage your reel should be inspected for dirt or sand and cleaned if excessive buildup is present. If your reel has come in contact with saltwater it is important to flush all parts with water, dry and re-lubricate your reel. Through diligent cleaning and maintenance your Lew's[®] reel will provide you with years of reliability and sound performance.

One Year Limited Warranty

For Warranty information and registration go to lews.com

Lew's[®] warrants its products¹ to withstand normal² use for the purpose designed and intended when manufactured for a period of one (1) year from the original retail sale date to the original retail consumer. Lew's[®] will at its option repair or replace³ Lew's[®] products when required for the warranty period and return⁴ the product to the owner at no additional⁵ cost to the owner.

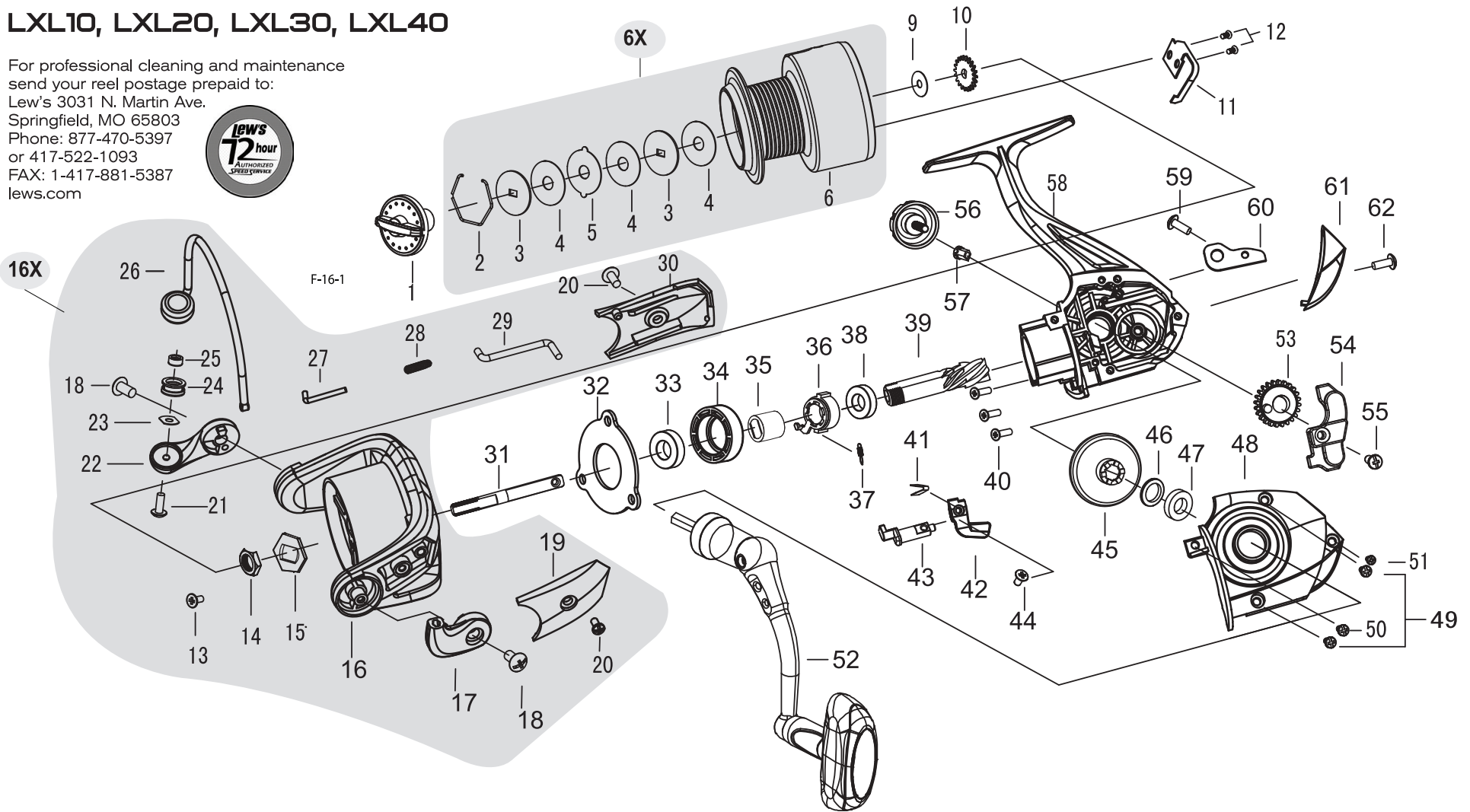
¹Numerous products have been manufactured under variations of the Lew's[®] name and under the Lew's[®] Logo by multiple businesses over the past 50 years. This warranty is specifically for products manufactured on behalf of Lew's[®] of Springfield, Missouri, USA since January 1, 2010. Lew's[®] products manufactured by or on behalf of other entities prior to January 1, 2010 are not covered by this warranty. In all circumstances, this Warranty is Limited in Value to the original retail value of the product and is limited to actual damage to the Lew's[®] product and only the Lew's[®] product. ²Loss of a product, and loss/damage of a product or parts due to the attempted repair or servicing of a Lew's[®] product by any person or business other than Lew's[®] or Lew's[®] Authorized Warranty Service Agent, and damage caused by or resulting from abuse, misuse, lack of recommended maintenance, accident, acts of God, and shipping damages occurring in transit to Lew's[®] or Lew's[®] Authorized Agent are outside the scope of Lew's[®] Limited Warranty and will be repaired through Lew's[®] after warranty services at the expense of the consumer. ³Any products replaced by Lew's[®] will be new or remanufactured by a Lew's[®] Authorized Agent with the same or next model upgrade product. ⁴Lew's[®] will return warranted products to the consumer by reasonable means as determined by Lew's[®]. ⁵Express or expedited services are the responsibility of the consumer as is sending the product to Lew's[®] or Lew's[®] Authorized Agent, for Warranty Service. Lew's[®] and Lew's[®] Service Agents as authorized by Lew's[®] are the sole agents authorized to repair or replace Lew's[®] products under the terms of this warranty. Only written changes by an officer of Lew's[®] can alter the terms or conditions of this warranty.

This warranty gives you specific legal rights including additional rights extended by some states which do not allow certain exclusions and limitations. Any action brought against Lew's[®] for the purpose of settling a warranty dispute shall be brought and litigated in the State of Missouri, County of Greene.

LASER[®] XL Spinning Reel

LXL10, LXL20, LXL30, LXL40

For professional cleaning and maintenance
send your reel postage prepaid to:
Lew's 3031 N. Martin Ave.
Springfield, MO 65803
Phone: 877-470-5397
or 417-522-1093
FAX: 1-417-881-5387
lews.com



NO.	PARTS NAME	NO.	PARTS NAME	NO.	PARTS NAME	NO.	PARTS NAME	NO.	PARTS NAME
1	FRONT DRAG KNOB	12	SPOOL SHORT SCREW	21	LINE ROLLER SCREW	31	MAIN SHAFT	41	ANTI-REVERSE SPRING
2	STOPPER SPRING	13	SCREW	22	ARM LEVER	32	BALL BEARING FIX HOLDER	42	ANTI-REVERSE SWITCH
3	KEY WASHER	14	NUT	23	WASHER	33	BALL BEARING	43	ANTI-REVERSE SHAFT
4	DRAG WASHER	15	ROTOR FIX HOLDER	24	LINE ROLLER	34	BALL BEARING KEEPER	44	ANTI-REVERSE SCREW
5	EARED WASHER	16	ROTOR	25	BUSHING	35	INNER RING	45	MAIN GEAR
6	SPOOL	16X	ROTOR ASSEMBLY	26	BAIL ARM SET	36	ONE WAY CLUTCH BEARING	46	GEAR WASHER
6X	SPOOL ASSEMBLY	17	BAIL HOLDER	27	ARM LEVER SHAFT	37	ONE WAY CLUTCH SPRING	47	BODY COVER BALL BEARING
9	CLICK WASHER	18	BAIL HOLDER & ARM LEVER SCREW	28	SPRING	38	SHAFT BALL BEARING	48	BODY COVER
10	CLICK GEAR	19	BAIL HOLDER CAP	29	KICK LEVER	39	PINION GEAR	49	BODAY COVER SCREW
11	CLICKER	20	CAP SCREW	30	ARM LEVER CAP	40	SHAFT BALL BEARING SCREW	50	BODY COVER SCREW
								51	BODAY COVER SHORT SCREW
								52	HANDLE ASSEMBLY
								53	OSCILLATING GEAR
								54	SLIDER
								55	SLIDER SCREW
								56	HANDLE ARM CAP
								57	WASHER
								58	BODY
								59	BALANCE SLIDER SCREW
								60	BALANCE SLIDER
								61	BODY CAP
								62	CAP SCREW