



SPEED CAST®

SC600



6-PIN CBS
Central Brake System

*Lew's is driven by innovation –
Fueled with Passion*

Feel the Difference!

Reel Specifications

Model	Weight (oz.)	Gear Ratio	Line Capacity (yd./lb.)	RPT*
SC600	11.8	5.3:1	300/15	23"

*Recovery per turn.

FEATURES:

- Aluminum frame and sideplates
- Premium 5-bearing system with 4-ball bearings and Zero Reverse one-way clutch bearing
- Anodized aluminum spool
- 6 pin Central Brake System (CBS)
- Carbon fiber drag
- 100mm power handle with oversize EVA grip

ATTENTION BRAIDED LINE USERS!

If your Lew's® Baitcast reel has pre-drilled holes in the spool, you may tie your braid directly to the spool, by passing the braid thru the provided holes and tying a uni-knot.

If your Lew's® baitcast reel does not have pre-drilled holes in the spool, you will need to first tie on and spool at least 20 revolutions of monofilament line, and then tie your braided line to the monofilament line, with either a back-to-back uni-knot or an Albright knot.

Continue to spool your reel as normal, keeping strong tension on the line to ensure the line is firmly wound onto the spool to keep from "digging in" to underlying line layers when pressure is put on the line from fighting fish.

FAILURE TO PROPERLY SPOOL BRAIDED LINE ONTO YOUR REELS SPOOL WILL RESULT IN LINE SLIPPAGE, AND THE IMPRESSION YOUR DRAG IS NOT WORKING PROPERLY.

Maintenance and Care

While applying lubricant to your Lew's® Speed Cast® reel, avoid using multi-purpose oil. Use lightweight silicone based oils or greases made for fishing reels. Apply oil to all bearings and the main shaft. Apply grease to the bushings, pinion gears and main gears.

After usage your reel should be inspected for dirt or sand and cleaned if excessive buildup is present. If your reel has come in contact with saltwater it is important to flush all parts with water, dry and re-lubricate your reel. Through diligent cleaning and maintenance your Lew's® reel will provide you with years of reliability and sound performance.

One Year Limited Warranty

For Warranty information and registration go to lews.com

Lew's® Warrants its products¹ to withstand normal² use for the purpose designed and intended when manufactured for a period of one (1) year from the original retail sale date to the original retail consumer. Lew's® will at its option repair or replace³ Lew's® products when required for the warranty period and return⁴ the product to the owner at no additional⁵ cost to the owner.

¹Numerous products have been manufactured under variations of the Lew's® name and under the Lew's® Logo by multiple businesses over the past 50 years. This warranty is specifically for products manufactured on behalf of Lew's® of Springfield, Missouri, USA since January 1, 2010. Lew's® products manufactured by or on behalf of other entities prior to January 1, 2010 are not covered by this warranty. In all circumstances, this Warranty is Limited in Value to the original retail value of the product and is limited to actual damage to the Lew's® product and only the Lew's® product. ²Loss of a product, and loss/damage of a product or parts due to the attempted repair or servicing of a Lew's® product by any person or business other than Lew's® or Lew's® Authorized Warranty Service Agent, and damage caused by or resulting from abuse, misuse, lack of recommended maintenance, accident, acts of God, and shipping damages occurring in transit to Lew's® or Lew's® Authorized Agent are outside the scope of Lew's® Limited Warranty and will be repaired through Lew's® after warranty services at the expense of the consumer. ³Any products replaced by Lew's® will be new or remanufactured by a Lew's® Authorized Agent with the same or next model upgrade product. ⁴Lew's® will return warranted products to the consumer by reasonable means as determined by Lew's®. ⁵Express or expedited services are the responsibility of the consumer as is sending the product to Lew's® or Lew's® Authorized Agent, for Warranty Service. Lew's® and Lew's® Service Agents as authorized by Lew's® are the sole agents authorized to repair or replace Lew's® products under the terms of this warranty. Only written changes by an officer of Lew's® can alter the terms or conditions of this warranty.

This warranty gives you specific legal rights including additional rights extended by some states which do not allow certain exclusions and limitations. Any action brought against Lew's® for the purpose of settling a warranty dispute shall be brought and litigated in the State of Missouri, County of Greene.

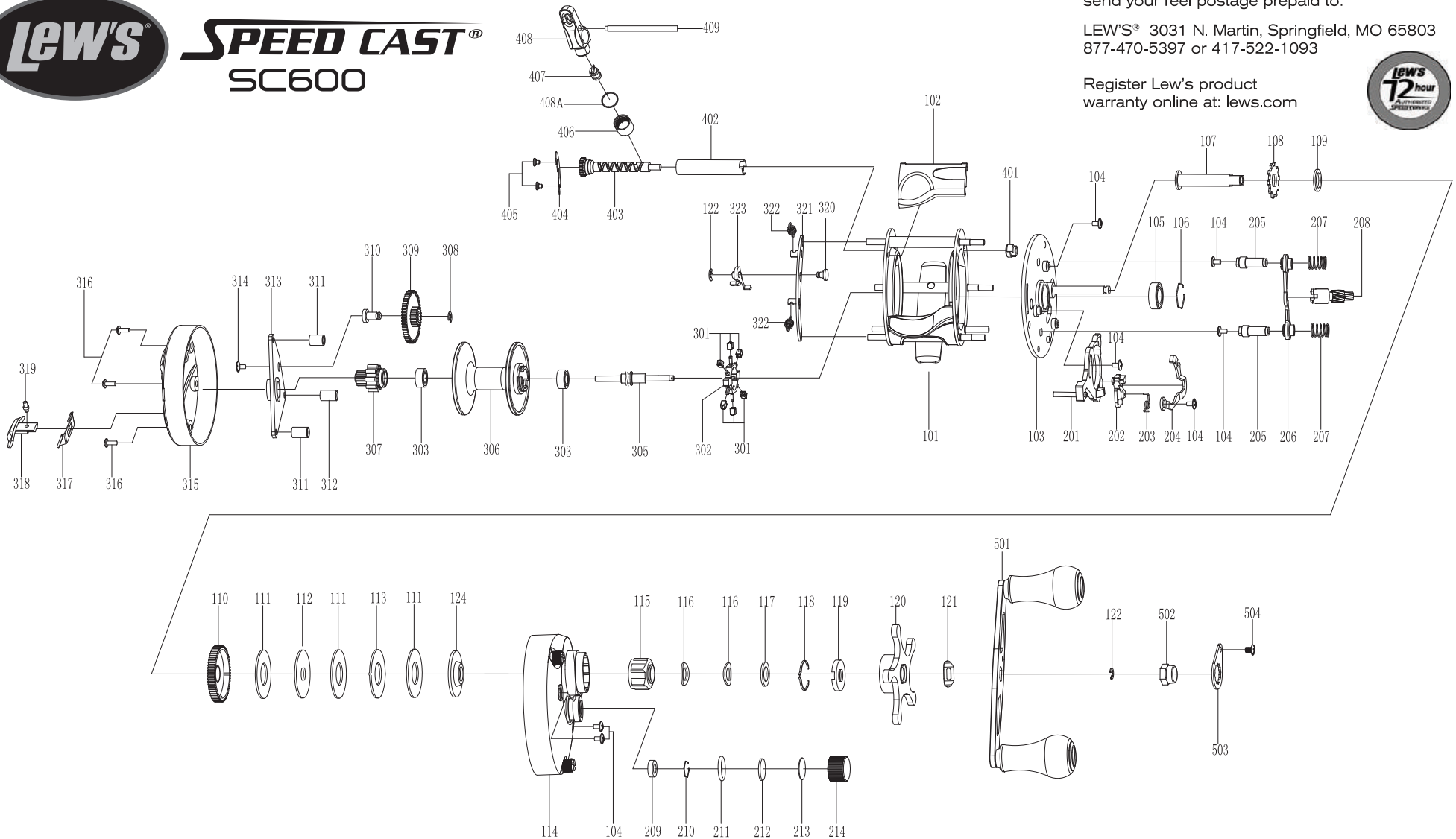


SPEED CAST® SC600

For professional cleaning and maintenance
send your reel postage prepaid to:

LEW'S® 3031 N. Martin, Springfield, MO 65803
877-470-5397 or 417-522-1093

Register Lew's product
warranty online at: lews.com



KEY NO.	PARTS NAME	KEY NO.	PARTS NAME	KEY NO.	PARTS NAME	KEY NO.	PARTS NAME	KEY NO.	PARTS NAME	KEY NO.	PARTS NAME	KEY NO.	PARTS NAME
101	Frame	113	Drag washer C	202	Kick lever	214	Cast control cap	313	Cover holding plate	402	Level wind guard	409	Stabilizer bar
102	Thumb rest plate	124	Drag washer D	203	Kick lever spring	301	Drag bushing	314	Screw	403	Worm shaft	501	Handle assembly
103	Set plate	114	Right cover	204	Clutch cam plate	302	Frame	315	Left cover	404	Worm shaft holding plate	502	Handle nut
104	Screw	115	Roller clutch bearing	205	Yoke pin	303	Ball bearing X2	316	Screw	405	Screw	503	Handle locking plate
105	Ball bearing	116	Drag spring washer	206	Yoke	305	Spool shaft	317	Click button washer	406	Pawl cap	504	Screw
106	Ball bearing spring	117	Washer	207	Spring	306	Spool	318	Click button	407	Line guide pawl		
107	Drive shaft	118	Clicker spring	208	Pinion gear	307	Pawl	319	Spring holding pin	408	Line guide		
108	Ratchet	119	Clicker frame	209	Ball bearing	308	lock washer	320	Pawl holding pin	408A	Small washer		
109	Washer	120	Star drag	210	Bushing retainer	309	Worm shaft gear-B	321	Pawl guide plate				
110	Drive gear	121	Convex washer	211	O-ring	310	Locate point shaft	322	Pulling spring				
111	Drag washer A	122	E-lock	212	Spool tension spacer	311	Holding shaft-B	323	Pawl				
112	Drag washer B	201	Clutch cam	213	Rubber spacer	312	Holding shaft-A	401	Worm shaft bushing				



SPEED CAST®

SC600L
Left Hand



6-PIN CBS
Central Brake System

*Lew's is driven by innovation –
Fueled with Passion*

Feel the Difference!

Reel Specifications

Model	Weight (oz.)	Gear Ratio	Line Capacity (yd./lb.)	RPT*
SC600L	11.8	5.3:1	300/15	23"

*Recovery per turn.

FEATURES:

- Aluminum frame and sideplates
- Premium 5-bearing system with 4-ball bearings and Zero Reverse one-way clutch bearing
- Anodized aluminum spool
- 6 pin Central Brake System (CBS)
- Carbon fiber drag
- 100mm power handle with oversize EVA grip

ATTENTION BRAIDED LINE USERS!

If your Lew's® Baitcast reel has pre-drilled holes in the spool, you may tie your braid directly to the spool, by passing the braid thru the provided holes and tying a uni-knot.

If your Lew's® baitcast reel does not have pre-drilled holes in the spool, you will need to first tie on and spool at least 20 revolutions of monofilament line, and then tie your braided line to the monofilament line, with either a back-to-back uni-knot or an Albright knot.

Continue to spool your reel as normal, keeping strong tension on the line to ensure the line is firmly wound onto the spool to keep from "digging in" to underlying line layers when pressure is put on the line from fighting fish.

FAILURE TO PROPERLY SPOOL BRAIDED LINE ONTO YOUR REELS SPOOL WILL RESULT IN LINE SLIPPAGE, AND THE IMPRESSION YOUR DRAG IS NOT WORKING PROPERLY.

Maintenance and Care

While applying lubricant to your Lew's® Speed Cast® reel, avoid using multi-purpose oil. Use lightweight silicone based oils or greases made for fishing reels. Apply oil to all bearings and the main shaft. Apply grease to the bushings, pinion gears and main gears.

After usage your reel should be inspected for dirt or sand and cleaned if excessive buildup is present. If your reel has come in contact with saltwater it is important to flush all parts with water, dry and re-lubricate your reel. Through diligent cleaning and maintenance your Lew's® reel will provide you with years of reliability and sound performance.

One Year Limited Warranty

For Warranty information and registration go to lews.com

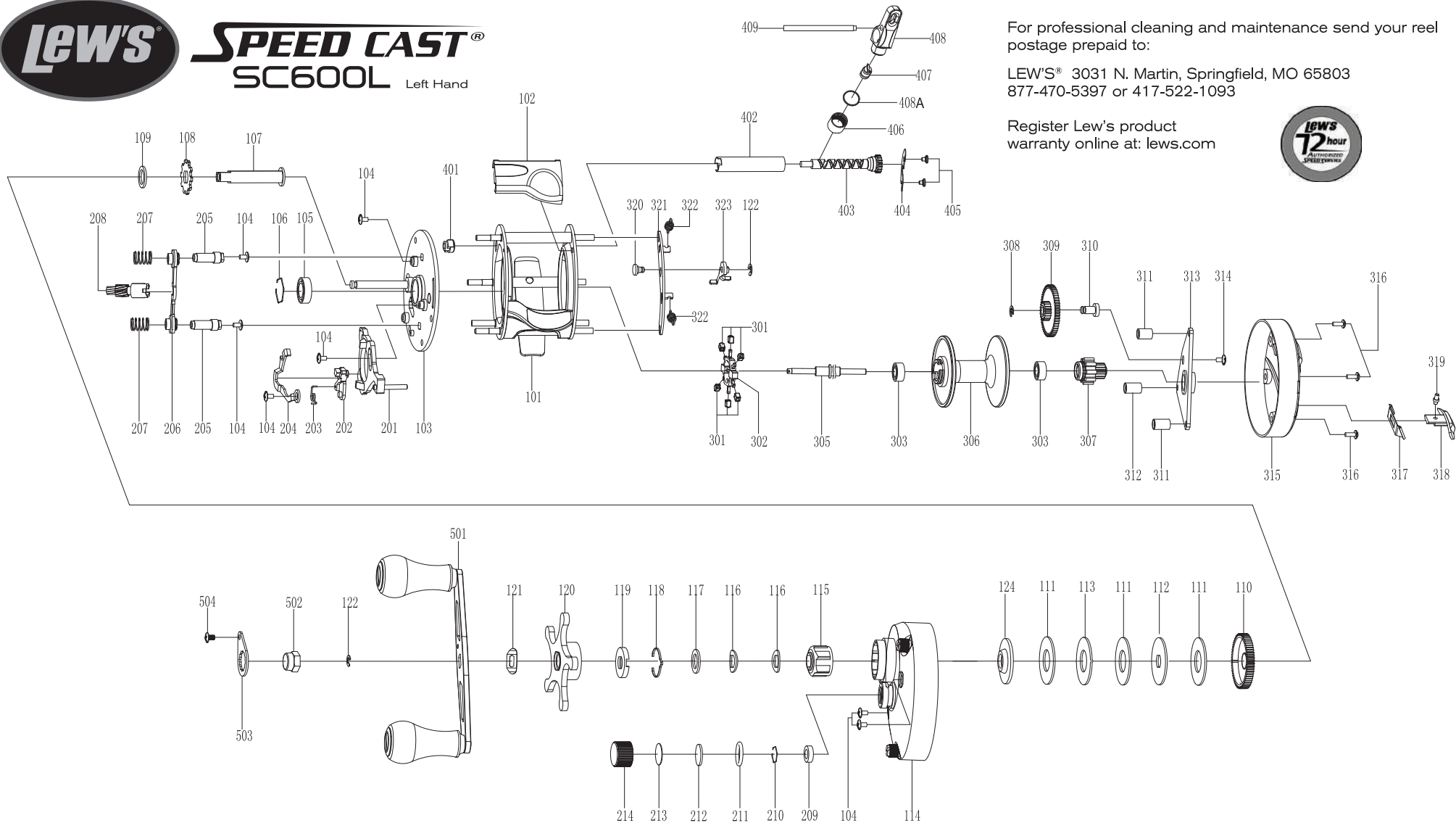
Lew's® Warrants its products¹ to withstand normal² use for the purpose designed and intended when manufactured for a period of one (1) year from the original retail sale date to the original retail consumer. Lew's® will at its option repair or replace³ Lew's® products when required for the warranty period and return⁴ the product to the owner at no additional⁵ cost to the owner.

¹Numerous products have been manufactured under variations of the Lew's® name and under the Lew's® Logo by multiple businesses over the past 50 years. This warranty is specifically for products manufactured on behalf of Lew's® of Springfield, Missouri, USA since January 1, 2010. Lew's® products manufactured by or on behalf of other entities prior to January 1, 2010 are not covered by this warranty. In all circumstances, this Warranty is Limited in Value to the original retail value of the product and is limited to actual damage to the Lew's® product and only the Lew's® product. ²Loss of a product, and loss/damage of a product or parts due to the attempted repair or servicing of a Lew's® product by any person or business other than Lew's® or Lew's® Authorized Warranty Service Agent, and damage caused by or resulting from abuse, misuse, lack of recommended maintenance, accident, acts of God, and shipping damages occurring in transit to Lew's® or Lew's® Authorized Agent are outside the scope of Lew's® Limited Warranty and will be repaired through Lew's® after warranty services at the expense of the consumer. ³Any products replaced by Lew's® will be new or remanufactured by a Lew's® Authorized Agent with the same or next model upgrade product. ⁴Lew's® will return warranted products to the consumer by reasonable means as determined by Lew's®. ⁵Express or expedited services are the responsibility of the consumer as is sending the product to Lew's® or Lew's® Authorized Agent, for Warranty Service. Lew's® and Lew's® Service Agents as authorized by Lew's® are the sole agents authorized to repair or replace Lew's® products under the terms of this warranty. Only written changes by an officer of Lew's® can alter the terms or conditions of this warranty.

This warranty gives you specific legal rights including additional rights extended by some states which do not allow certain exclusions and limitations. Any action brought against Lew's® for the purpose of settling a warranty dispute shall be brought and litigated in the State of Missouri, County of Greene.



SPEED CAST® SC600L Left Hand



For professional cleaning and maintenance send your reel postage prepaid to:

LEW'S® 3031 N. Martin, Springfield, MO 65803
877-470-5397 or 417-522-1093

Register Lew's product warranty online at: lews.com



KEY NO. PARTS NAME

- 101 Frame
- 102 Thumb rest plate
- 103 Set plate
- 104 Screw
- 105 Ball bearing
- 106 Ball bearing spring
- 107 Drive shaft
- 108 Ratchet
- 109 Washer
- 110 Drive gear
- 111 Drag washer A
- 112 Drag washer B

KEY NO. PARTS NAME

- 113 Drag washer C
- 124 Drag washer D
- 114 Right cover
- 115 Roller clutch bearing
- 116 Drag spring washer
- 117 Washer
- 118 Clicker spring
- 119 Clicker frame
- 120 Star drag
- 121 Convex washer
- 122 E-lock
- 201 Clutch cam

KEY NO. PARTS NAME

- 202 Kick lever
- 203 Kick lever spring
- 204 Clutch cam plate
- 205 Yoke pin
- 206 Yoke
- 207 Spring
- 208 Pinion gear
- 209 Ball bearing
- 210 Bushing retainer
- 211 O-ring
- 212 Spool tension spacer
- 213 Rubber spacer

KEY NO. PARTS NAME

- 214 Cast control cap
- 301 Drag bushing
- 302 Frame
- 303 Ball bearing X2
- 305 Spool shaft
- 306 Spool
- 307 Pawl
- 308 lock washer
- 309 Worm shaft gear-B
- 310 Locate point shaft
- 311 Holding shaft-B
- 312 Holding shaft-A

KEY NO. PARTS NAME

- 313 Cover holding plate
- 314 Screw
- 315 Left cover
- 316 Screw
- 317 Click button washer
- 318 Click button
- 319 Holding pin
- 320 Pawl holding pin
- 321 Pawl guide plate
- 322 Pulling spring
- 323 Pawl
- 401 Worm shaft bushing

KEY NO. PARTS NAME

- 402 Level wind guard
- 403 Worm shaft
- 404 Worm shaft holding plate
- 405 Screw
- 406 Pawl cap
- 407 Line guide pawl
- 408 Line guide
- 408A Small washer

KEY NO. PARTS NAME

- 409 Stabilizer bar
- 501 Handle assembly
- 502 Handle nut
- 503 Handle locking plate
- 504 Screw