



Mr. Catfish®
Cat Series
CS70



Mr Catfish® Cat Series Reels are designed for
**anglers looking for serious
equipment for catfishing.**



Mr. Catfish®
Cat Series **CS70**

Reel Specifications

Model	Weight	Ball Bearings	Gear Ratio	Line Capacity	IPT
CS70	16.5 oz.	2+1	5.5:1	190/20	24"

FEATURES:

- Graphite body, rotor and side cover
- 3 Ball Bearing System
- Aluminum spool
- Zero-Reverse Anti-Reverse
- Graphite body, rotor and side cover
- Heavy duty bail wire
- Fold down die-cast aluminum handle with soft rubber knob
- Pre spooled with 15 lb. Mr Catfish® premium mono
- Left- or right-hand retrieve

Maintenance and Care

While applying lubricant to your Mr Catfish® reel, avoid using multi-purpose oil. Use lightweight silicone based oils or greases made for fishing reels. Apply oil to all bearings, the crank shaft, and the worm gear. Apply grease to the bushings, pinion gears, drive gears, and crank gears.

After usage your reel should be inspected for dirt or sand and cleaned if excessive buildup is present. If your reel has come in contact with saltwater it is important to flush all parts with water, dry and re-lubricate your reel. Through diligent cleaning and maintenance your Mr Catfish® reel will provide you with years of reliability and sound performance.

For professional cleaning and maintenance
send your reel postage prepaid to:
Lew's 3031 N. Martin Ave.
Springfield, MO 65803
Phone: 877-470-5397
FAX: 1-417-881-5387
lews.com

One Year Limited Warranty

Mr Catfish® Warrants its products¹ to withstand normal² use for the purpose designed and intended when manufactured for a period of one (1) year from the original retail sale date to the original retail consumer. Mr Catfish® will at its option repair or replace³ Mr Catfish® products when required for the warranty period and return⁴ the product to the owner at no additional⁵ cost to the owner.

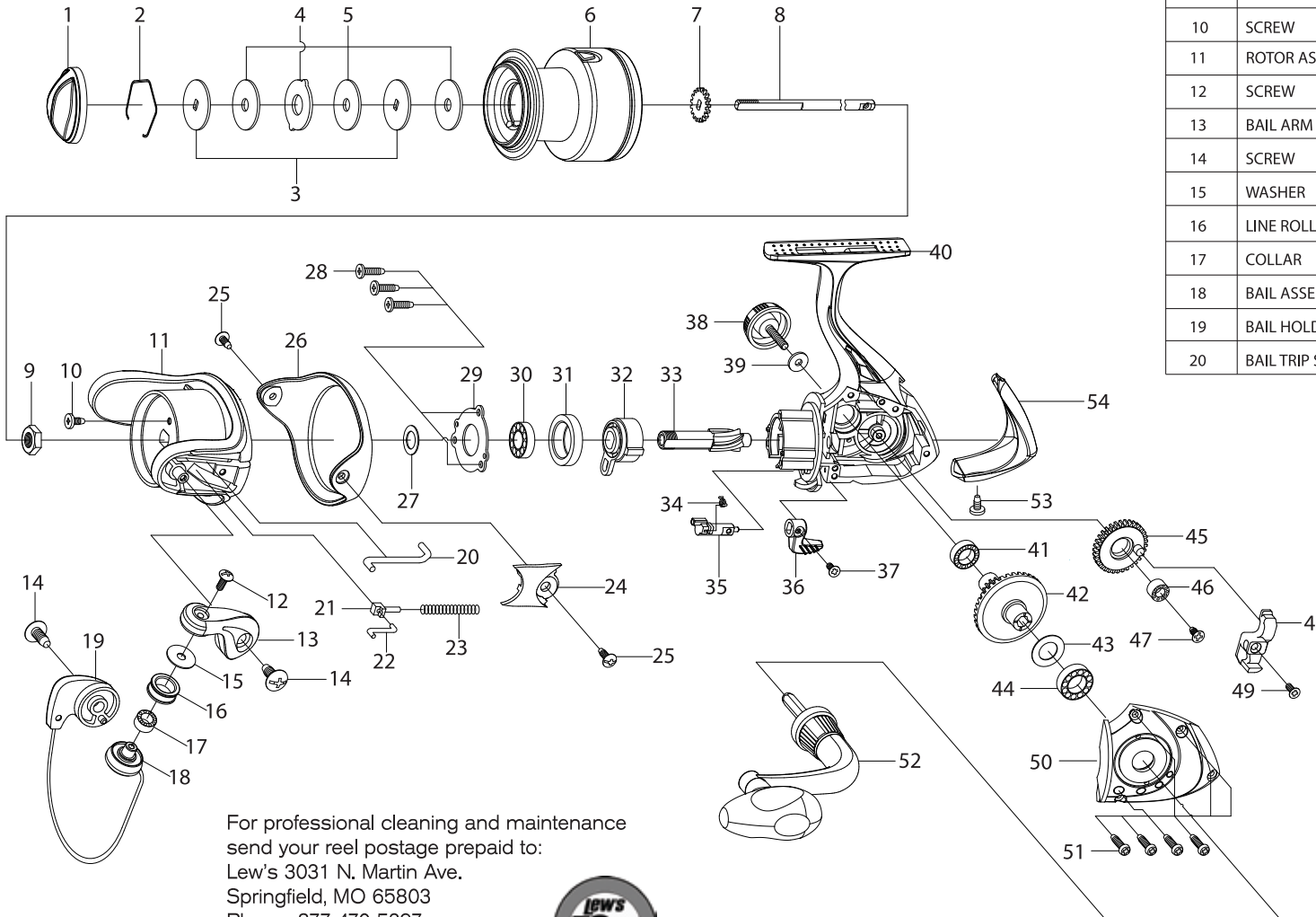
¹Numerous products have been manufactured under variations of the Mr Catfish® name and under the Mr Catfish® Logo by multiple businesses in the past years. This warranty is specifically for products manufactured on behalf of Mr Catfish® of Springfield, Missouri USA since March 1, 2011. Mr Catfish® products manufactured by or on behalf of other entities prior to March 1, 2011 are not covered by this warranty. In all circumstances, this Warranty is Limited in Value to the original retail value of the product and is limited to actual damage to the Mr Catfish® product and only the Mr Catfish® product. ²Loss of a product, and loss/damage of a product or parts due to the attempted repair or servicing of a Mr Catfish® product by any person or business other than Mr Catfish® or Mr Catfish® Authorized Warranty Service Agent, and damage caused by or resulting from abuse, misuse, lack of recommended maintenance, accident, acts of God, and shipping damages occurring in transit to Mr Catfish® or Mr Catfish® Authorized Agent are outside the scope of Mr Catfish® Limited Warranty and will be repaired through Mr Catfish® after warranty services at the expense of the consumer. ³Any products replaced by Mr Catfish® will be new or remanufactured by a Mr Catfish® Authorized Agent with the same or next model upgrade product. ⁴Mr Catfish® will return warranted products to the consumer by reasonable means as determined by Mr Catfish®, ⁵Express or expedited services are the responsibility of the consumer as is sending the product to Mr Catfish® or Mr Catfish® Authorized Agent, for Warranty Service. Mr Catfish® and Mr Catfish® Service Agents as authorized by Mr Catfish® are the sole agents authorized to repair or replace Mr Catfish® products under the terms of this warranty. Only written changes by an officer of Mr Catfish® can alter the terms or conditions of this warranty.

This warranty gives you specific legal rights including additional rights extended by some states which do not allow certain exclusions and limitations. Any action brought against Mr Catfish® for the purpose of settling a warranty dispute shall be brought and litigated in the State of Missouri, County of Greene.



Mr. Catfish®

Cat Series CS70



KEY NO.	PARTS NAME	KEY NO.	PARTS NAME
1	DRAG KNOB ASSEMBLY	21	INSERT OSCILLATING SLIDER
2	DRAG WASHER RETAINER	22	INSERT METAL
3	KEY WASHER	23	BAIL SPRING
4	EARED WASHER	24	BAIL SPRING COVER
5	WASHER	25	SCREW
6	SPOOL ASSEMBLY	26	ROTOR CAP
7	CLICK GEAR	27	WASHER
8	MAIN SHAFT	28	SCREW
9	ROTOR NUT	29	RETAINER
10	SCREW	30	BALL BEARING
11	ROTOR ASSEMBLY	31	BALL BEARING CAP
12	SCREW	32	ONE WAY CLUTCH BEARING
13	BAIL ARM	33	PINION GEAR
14	SCREW	34	SPRING
15	WASHER	35	ANTI-REVERSE CAM
16	LINE ROLLER	36	ANTI-REVERSE LEVER
17	COLLAR	37	SCREW
18	BAIL ASSEMBLY	38	HANDLE SCREW CAP
19	BAIL HOLDER	39	WASHER
20	BAIL TRIP SHAFT	40	BODY
		41	COLLAR
		42	DRIVE GEAR
		43	WASHER
		44	BALL BEARING
		45	OSCILLATING GEAR
		46	COLLAR
		47	SCREW
		48	OSCILLATING SLIDER
		49	SCREW
		50	BODY COVER ASSEMBLY
		51	SCREW
		52	HANDLE ASSEMBLY
		53	SCREW
		54	BODY CAP

For professional cleaning and maintenance
 send your reel postage prepaid to:
 Lew's 3031 N. Martin Ave.
 Springfield, MO 65803
 Phone: 877-470-5397
 FAX: 1-417-881-5387
 lews.com

