



AMERICAN HERO
SPIN CAST

AHBC2



Lew's is driven by innovation – Fueled with Passion
Feel the Difference!

AMERICAN HERO
SPIN CAST

Reel Specifications

Model	Gear Ratio	Line Capacity	IPT
AHBC2	3.1:1	90 yd./8 lb.	16"

FEATURES:

- Double anodized aluminum cone
- Injection molded body
- Dual pin line pick up system
- Nickel chrome plated steel handle
- Soft rubber grips
- Stainless steel line guide
- Pre-spooled with 8 lb. mono
- 16 Inches Per Turn

AMERICAN HERO
SPIN CAST

Maintenance and Care

While applying lubricant to your Spin Cast reel, avoid using multi-purpose oil. Use lightweight silicone based oils or greases made for fishing reels. Apply oil to the main shaft. Apply grease to the bushings, pinion gear, and drive gear.

After usage your reel should be inspected for dirt or sand and cleaned if excessive buildup is present. If your reel has come in contact with saltwater it is important to flush all parts with water, dry and re-lubricate your reel. Through diligent cleaning and maintenance your Lew's® reel will provide you with years of reliability and sound performance.

For professional cleaning and maintenance send your reel postage prepaid to:

LEW'S® 3031 N. Martin, Springfield, MO 65803

877-470-5397 lews.coms

One Year Limited Warranty

Lew's® Warrants its products¹ to withstand normal² use for the purpose designed and intended when manufactured for a period of one (1) year from the original retail sale date to the original retail consumer. Lew's® will at its option repair or replace³ Lew's® products when required for the warranty period and return⁴ the product to the owner at no additional⁵ cost to the owner.

¹Numerous products have been manufactured under variations of the Lew's® name and under the Lew's® Logo by multiple businesses over the past 50 years. This warranty is specifically for products manufactured on behalf of Lew's® of Springfield, Missouri USA since January 1, 2010. Lew's® products manufactured by or on behalf of other entities prior to January 1, 2010 are not covered by this warranty. In all circumstances, this Warranty is Limited in Value to the original retail value of the product and is limited to actual damage to the Lew's® product and only the Lew's® product. ²Loss of a product, and loss/damage of a product or parts due to the attempted repair or servicing of a Lew's® product by any person or business other than Lew's® or Lew's® Authorized Warranty Service Agent, and damage caused by or resulting from abuse, misuse, lack of recommended maintenance, accident, acts of God, and shipping damages occurring in transit to Lew's® or Lew's® Authorized Agent are outside the scope of Lew's® Limited Warranty and will be repaired through Lew's® after warranty services at the expense of the consumer. ³Any products replaced by Lew's® will be new or remanufactured by a Lew's® Authorized Agent with the same or next model upgrade product. ⁴Lew's® will return warranted products to the consumer by reasonable means as determined by Lew's®. ⁵Express or expedited services are the responsibility of the consumer as is sending the product to Lew's® or Lew's® Authorized Agent, for Warranty Service. Lew's® and Lew's® Service Agents as authorized by Lew's® are the sole agents authorized to repair or replace Lew's® products under the terms of this warranty. Only written changes by an officer of Lew's® can alter the terms or conditions of this warranty.

This warranty gives you specific legal rights including additional rights extended by some states which do not allow certain exclusions and limitations. Any action brought against Lew's® for the purpose of settling a warranty dispute shall be brought and litigated in the State of Missouri, County of Greene.

Lew's® 3031 N. Martin, Springfield, MO 65803 Phone 877-470-5397 FAX: 1-417-881-5387

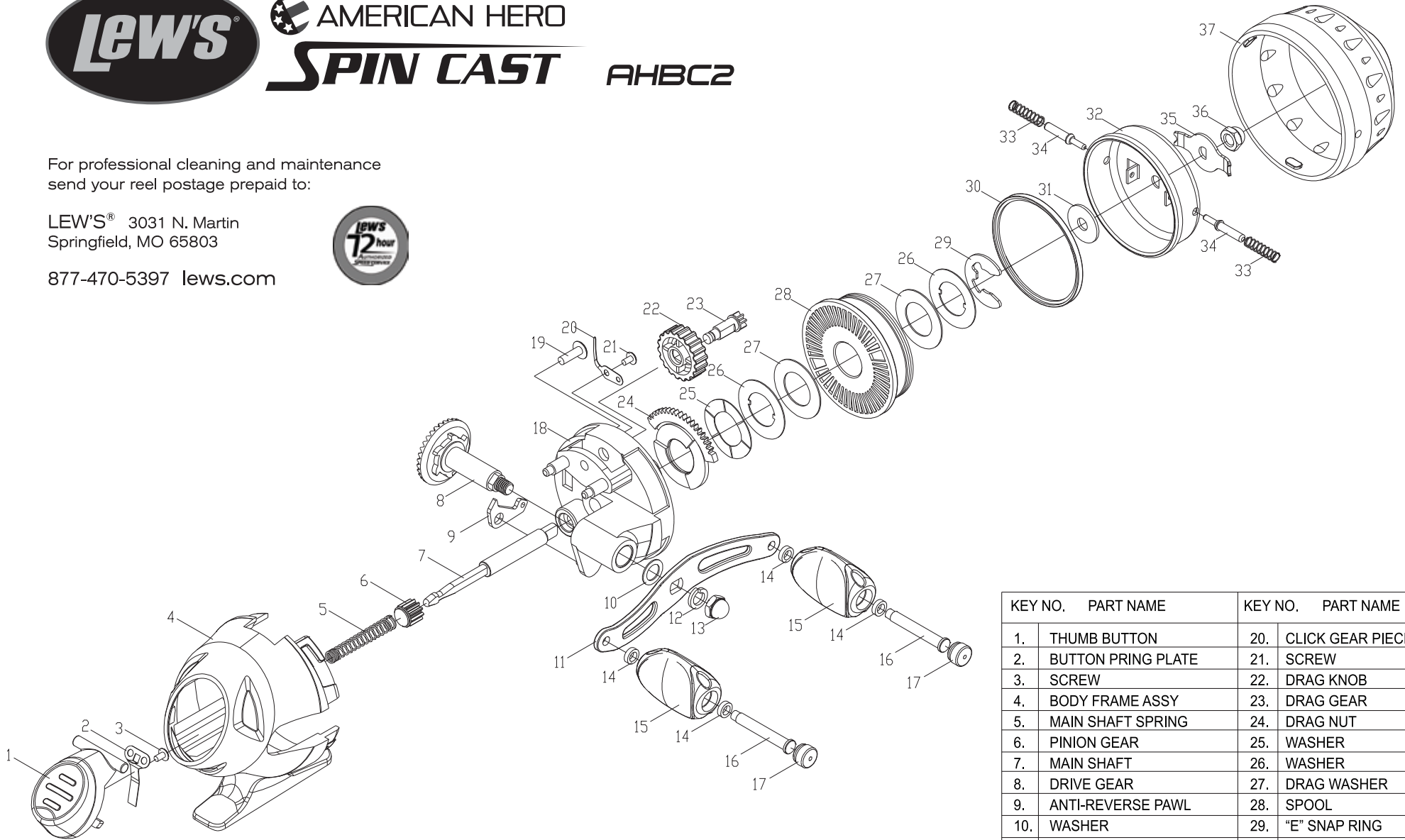


AMERICAN HERO
SPIN CAST AHBC2

For professional cleaning and maintenance
 send your reel postage prepaid to:

LEW'S® 3031 N. Martin
 Springfield, MO 65803

877-470-5397 lews.com



KEY NO.	PART NAME	KEY NO.	PART NAME
1.	THUMB BUTTON	20.	CLICK GEAR PIECE
2.	BUTTON PRING PLATE	21.	SCREW
3.	SCREW	22.	DRAG KNOB
4.	BODY FRAME ASSY	23.	DRAG GEAR
5.	MAIN SHAFT SPRING	24.	DRAG NUT
6.	PINION GEAR	25.	WASHER
7.	MAIN SHAFT	26.	WASHER
8.	DRIVE GEAR	27.	DRAG WASHER
9.	ANTI-REVERSE PAWL	28.	SPOOL
10.	WASHER	29.	"E" SNAP RING
11.	HANDLE	30.	LINE RETAINER
12.	LOCKING SPRING PLASTE	31.	WASHER
13.	HANDLE CAP	32.	CLUTCH SLEEVE
14.	BUSHING	33.	CLUTCH SPRING
15.	KNOB	34.	CLUTCH PIN
16.	KNOB RIVET	35.	WASHER
17.	KNOB TRIM	36.	MAIN SHAFT NUT
18.	FRAME ASSY	37.	FRONT CONE ASSY
19.	SCREW		