



LASER[®] ACR SPEED SPIN[®]

ACR10, ACR20, ACR30, ACR40



Speed Spin reels are designed to be **Lighter**, **Faster** and **Stronger**

Driven by innovation – Fueled with Passion

Feel the Difference!



Reel Specifications

Model	Weight (oz.)	Gear Ratio	Line Capacity (yd./lb.)	IPT
ACR10	8.4	6.2:1	120/6	30"
ACR20	8.8	6.2:1	120/8	31"
ACR30	9.2	6.2:1	145/10	32"
ACR40	9.7	6.2:1	185/12	35"

FEATURES:

- Rugged, lightweight aluminum body and sideplate
- Premium 10-bearing system with double shielded stainless steel bearings and Zero-Reverse one-way clutch bearing
- Lightweight anodized aluminum spool
- Lightweight high strength C40 Carbon skeletal rotor
- Oversized line roller to reduce line twist
- Aluminum handle with Lew's[®] Performance handle knob
- Speed Lube[™] for exceptional smoothness and uninterrupted performance in all weather conditions

10 Bearing System



Maintenance and Care

While applying lubricant to your Laser[®] ACR Speed Spin[®] reel, avoid using multi-purpose oil. Use lightweight silicone based oils or greases made for fishing reels. Apply oil to all bearings and the the main shaft. Apply grease to the bushings, pinion gears and main gears.

After usage your reel should be inspected for dirt or sand and cleaned if excessive buildup is present. If your reel has come in contact with saltwater it is important to flush all parts with water, dry and re-lubricate your reel. Through diligent cleaning and maintenance your Lew's[®] reel will provide you with years of reliability and sound performance.

One Year Limited Warranty

Lew's[®] Warrants its products¹ to withstand normal² use for the purpose designed and intended when manufactured for a period of one (1) year from the original retail sale date to the original retail consumer. Lew's[®] will at its option repair or replace³ Lew's[®] products when required for the warranty period and return⁴ the product to the owner at no additional⁵ cost to the owner.

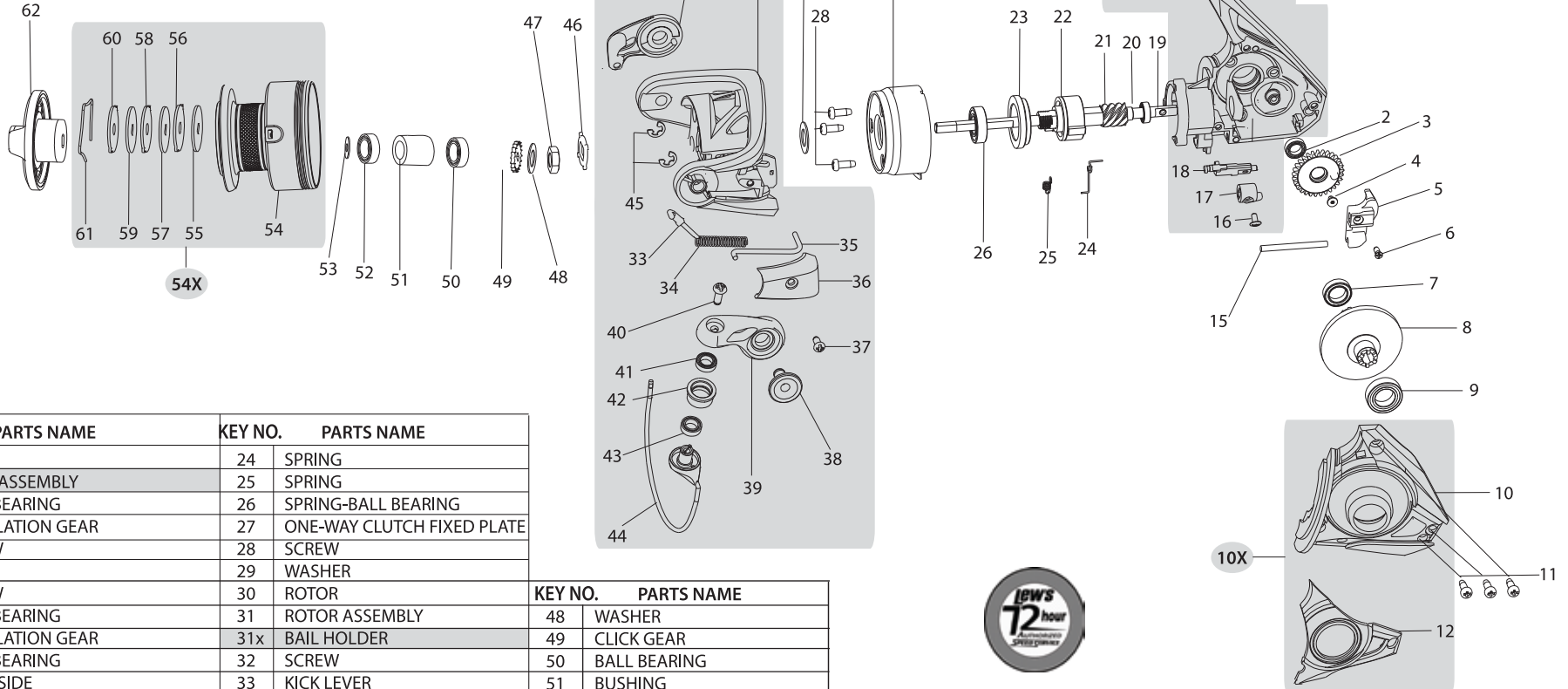
¹Numerous products have been manufactured under variations of the Lew's[®] name and under the Lew's[®] Logo by multiple businesses over the past 50 years. This warranty is specifically for products manufactured on behalf of Lew's[®] of Springfield, Missouri, USA since January 1, 2010. Lew's[®] products manufactured by or on behalf of other entities prior to January 1, 2010 are not covered by this warranty. In all circumstances, this Warranty is Limited in Value to the original retail value of the product and is limited to actual damage to the Lew's[®] product and only the Lew's[®] product. ²Loss of a product, and loss/damage of a product or parts due to the attempted repair or servicing of a Lew's[®] product by any person or business other than Lew's[®] or Lew's[®] Authorized Warranty Service Agent, and damage caused by or resulting from abuse, misuse, lack of recommended maintenance, accident, acts of God, and shipping damages occurring in transit to Lew's[®] or Lew's[®] Authorized Agent are outside the scope of Lew's[®] Limited Warranty and will be repaired through Lew's[®] after warranty services at the expense of the consumer. ³Any products replaced by Lew's[®] will be new or remanufactured by a Lew's[®] Authorized Agent with the same or next model upgrade product. ⁴Lew's[®] will return warranted products to the consumer by reasonable means as determined by Lew's[®]. ⁵Express or expedited services are the responsibility of the consumer as is sending the product to Lew's[®] or Lew's[®] Authorized Agent, for Warranty Service. Lew's[®] and Lew's[®] Service Agents as authorized by Lew's[®] are the sole agents authorized to repair or replace Lew's[®] products under the terms of this warranty. Only written changes by an officer of Lew's[®] can alter the terms or conditions of this warranty.

This warranty gives you specific legal rights including additional rights extended by some states which do not allow certain exclusions and limitations. Any action brought against Lew's[®] for the purpose of settling a warranty dispute shall be brought and litigated in the State of Missouri, County of Greene.



LASER[®] ACR SPEED SPIN[®]

ACR10, ACR20, ACR30, ACR40



KEY NO.	PARTS NAME	KEY NO.	PARTS NAME
1	BODY	24	SPRING
1X	BODY ASSEMBLY	25	SPRING
2	BALL BEARING	26	SPRING-BALL BEARING
3	OSCILLATION GEAR	27	ONE-WAY CLUTCH FIXED PLATE
4	SCREW	28	SCREW
5	SLIDE	29	WASHER
6	SCREW	30	ROTOR
7	BALL BEARING	31	ROTOR ASSEMBLY
8	OSCILLATION GEAR	31x	BAIL HOLDER
9	BALL BEARING	32	SCREW
10	BODY SIDE	33	KICK LEVER
10x	BODY SIDE ASSEMBLY	34	SPRING
11	SCREW	35	BAIL ARM SUPPORT PIN
12	BODY SIDE TRIM COVER	36	BAIL ARM COVER
13	BODY TRIM COVER	37	SCREW
14	KEYED WASHER	38	SCREW
15	SLIDE GUIDE PIN	39	BAIL ARM
16	SCREW	40	SCREW
17	ANTI-REVERSE LEVER	41	BALL BEARING
18	ANTI-REVERSE CAM	42	LINE ROLLER
19	MAIN SHAFT	43	BUSHING
20	BALL BEARING	44	BAIL ASSEMBLY
21	PINION GEAR	45	RING CLIPS
22	ONE-WAY CLUTCH BALL BEARING	46	WASHE
23	BUSHING	47	ROTOR NUT
		KEY NO.	PARTS NAME
		48	WASHER
		49	CLICK GEAR
		50	BALL BEARING
		51	BUSHING
		52	BALL BEARING
		53	WASHER
		54	SPOOL
		54x	SPOOL ASSEMBLY
		55	FELT WASHER
		56	KEYED WASHER
		57	FELT WASHER
		58	EARED WASHER
		59	FELT WASHER
		60	KEYED WASHER
		61	DRAG WASHER RETAINER
		62	DRAG KNOB
		63	HANDLE ASSEMBLY (ONE BB)
		64	HANDLE CAP



For professional cleaning and maintenance send your reel postage prepaid to:
Lew's 3031 N. Martin Ave.
Springfield, MO 65803
Phone: 877-470-5397
or 417-522-1093
FAX: 1-417-881-5387
lews.com

