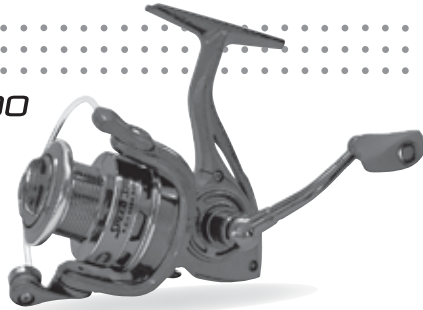


LEW'S® LASER® SPEED SPIN®

LG100, LG200, LG300, LG400



Speed Spin® reels are designed to be Lighter, *Faster* and **Stronger**

Driven by innovation – Fueled with Passion
Feel the Difference!

LASER® SPEED SPIN®

Reel Specifications

Model	Weight	Gear Ratio	Line Capacity	IPT
LG100	8.7 OZ.	5.2:1	170/6 LB.	22"
LG200	8.9 OZ.	5.2:1	150/8 LB.	26"
LG300	9.9 OZ.	5.2:1	180/10 LB.	31"
LG400	10.4 OZ.	5.2:1	195/12 LB.	33"

FEATURES:

- Rugged graphite body and rotor with metallic paint
- Double anodized aluminum spool with gold accent lines
- Larger diameter spool for longer casting and faster line retrieve
- Strong and balanced thick aluminum bail
- Thin compact gear box
- Quality ten bearing system
- Zero-Reverse one-way clutch bearing
- Machined aluminum handle with Soft Tough handle knob
- Speed Lube™ for exceptional smoothness and uninterrupted performance in all weather conditions from extreme heat to freezing cold
- Adjustable for right or left hand retrieve

LASER® SPEED SPIN®

Maintenance and Care

While applying lubricant to your Laser® reel, avoid using multi-purpose oil. Use lightweight silicone based oils or greases made for fishing reels. Apply oil to all bearings, the crank shaft, and the worm gear. Apply grease to the bushings, pinion gears, drive gears, and crank gears.

After usage your reel should be inspected for dirt or sand and cleaned if excessive buildup is present. If your reel has come in contact with saltwater it is important to flush all parts with water, dry and re-lubricate your reel. Through diligent cleaning and maintenance your Lew's® reel will provide you with years of reliability and sound performance.

For professional cleaning and maintenance send your reel postage prepaid to:

LEW'S® 3031 N. Martin Ave.
Springfield, MO 65803

417-881-5397 www.lews.com

One Year Limited Warranty

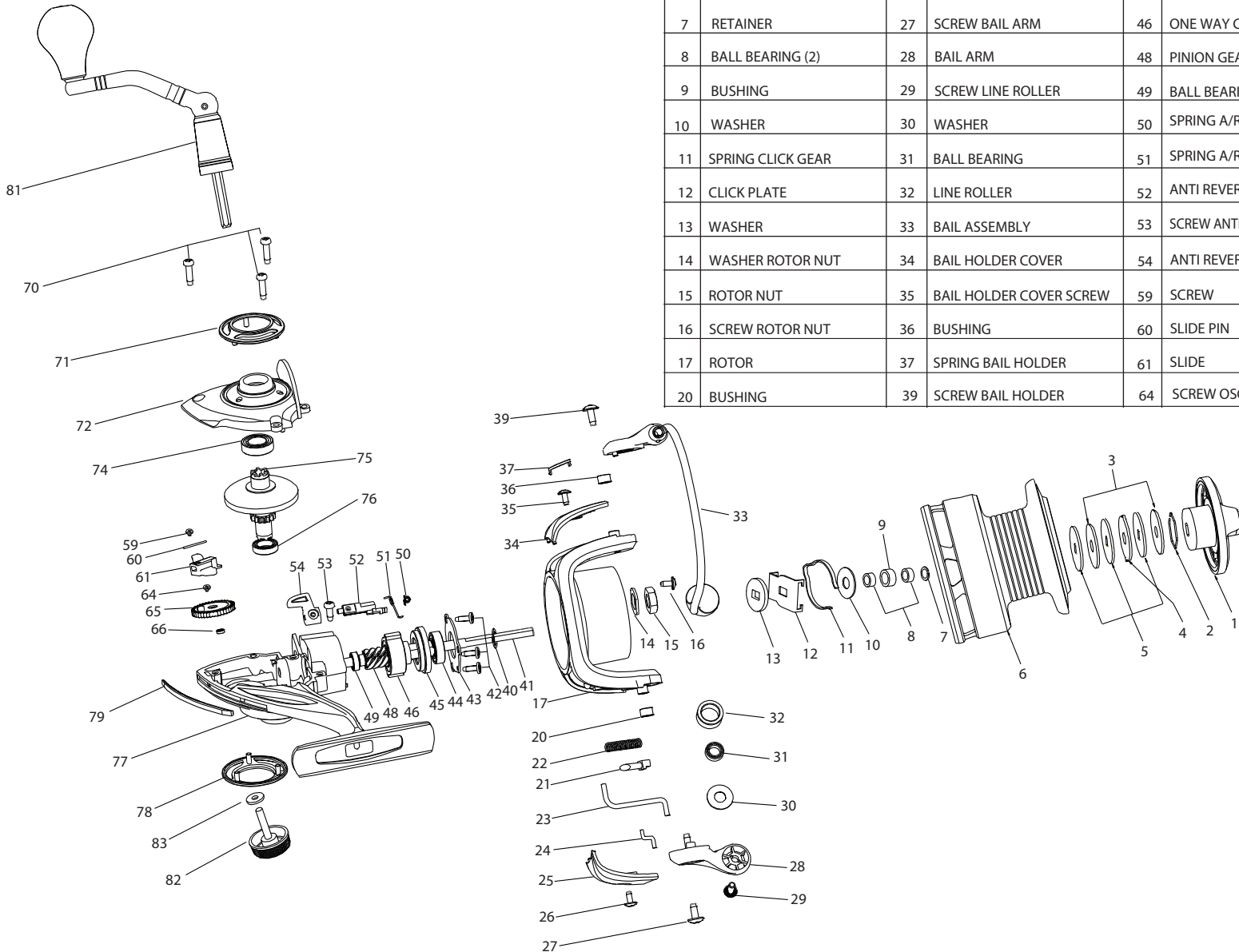
Lew's® Warrants its products¹ to withstand normal² use for the purpose designed and intended when manufactured for a period of one (1) year from the original retail sale date to the original retail consumer. Lew's® will at its option repair or replace³ Lew's® products when required for the warranty period and return⁴ the product to the owner at no additional⁵ cost to the owner.

¹Numerous products have been manufactured under variations of the Lew's® name and under the Lew's® Logo by multiple businesses over the past 50 years. This warranty is specifically for products manufactured on behalf of Lew's® of Springfield, Missouri USA since January 1, 2010. Lew's® products manufactured by or on behalf of other entities prior to January 1, 2010 are not covered by this warranty. In all circumstances, this Warranty is Limited in Value to the original retail value of the product and is limited to actual damage to the Lew's® product and only the Lew's® product. ²Loss of a product, and loss/damage of a product or parts due to the attempted repair or servicing of a Lew's® product by any person or business other than Lew's® or Lew's® Authorized Warranty Service Agent, and damage caused by or resulting from abuse, misuse, lack of recommended maintenance, accident, acts of God, and shipping damages occurring in transit to Lew's® or Lew's® Authorized Agent are outside the scope of Lew's® Limited Warranty and will be repaired through Lew's® after warranty services at the expense of the consumer. ³Any products replaced by Lew's® will be new or remanufactured by a Lew's® Authorized Agent with the same or next model upgrade product. ⁴Lew's® will return warranted products to the consumer by reasonable means as determined by Lew's®. ⁵Express or expedited services are the responsibility of the consumer as is sending the product to Lew's® or Lew's® Authorized Agent, for Warranty Service. Lew's® and Lew's® Service Agents as authorized by Lew's® are the sole agents authorized to repair or replace Lew's® products under the terms of this warranty. Only written changes by an officer of Lew's® can alter the terms or conditions of this warranty.

This warranty gives you specific legal rights including additional rights extended by some states which do not allow certain exclusions and limitations. Any action brought against Lew's® for the purpose of settling a warranty dispute shall be brought and litigated in the State of Missouri, County of Greene.

LEW'S LASER SPEED SPIN®

LG100, LG200, LG300, LG400



KEY NO.	PARTS NAME	KEY NO.	PARTS NAME	KEY NO.	PARTS NAME	KEY NO.	PARTS NAME
1	DRAG KNOB ASSEMBLY	21	BAIL SPRING PIN	40	WASHER ROTOR SHIM	65	OSCILLATION GEAR
2	SPRING DRAG RETAINING	22	BAIL SPRING	41	MAIN SHAFT	66	BALL BEARING
3	DRAG WASHER KEYED (2)	23	KICK LEVER	42	SCREW LOCK PLATE	70	SCREW BODY SIDE COVER (3)
4	DRAG WASHER EARED	24	BAIL LEVER	43	ONE WAY CLUTCH LOCK PLATE	71	BODY SIDE COVER TRIM
5	DRAG WASHER FELT (3)	25	BAIL ARM COVER	44	BUSHING/BALL BEARING	72	BODY SIDE COVER
6	SPOOL ASSEMBLY	26	SCREW BAIL ARM COVER	45	BUSHING/BEARING HOLDER	74	BALL BEARING
7	RETAINER	27	SCREW BAIL ARM	46	ONE WAY CLUTCH	75	DRIVE GEAR
8	BALL BEARING (2)	28	BAIL ARM	48	PINION GEAR	76	BALL BEARING
9	BUSHING	29	SCREW LINE ROLLER	49	BALL BEARING	77	BODY
10	WASHER	30	WASHER	50	SPRING A/R CAM	78	BODY SIDE TRIM
11	SPRING CLICK GEAR	31	BALL BEARING	51	SPRING A/R SWITCH	79	REAR BODY COVER
12	CLICK PLATE	32	LINE ROLLER	52	ANTI REVERSE CAM	81	HANDLE ASSEMBLY
13	WASHER	33	BAIL ASSEMBLY	53	SCREW ANTI REVERSE SWITCH	82	HANDLE SCREW CAP
14	WASHER ROTOR NUT	34	BAIL HOLDER COVER	54	ANTI REVERSE SWITCH	83	WASHER HANDLE SCREW CAP
15	ROTOR NUT	35	BAIL HOLDER COVER SCREW	59	SCREW		
16	SCREW ROTOR NUT	36	BUSHING	60	SLIDE PIN		
17	ROTOR	37	SPRING BAIL HOLDER	61	SLIDE		
20	BUSHING	39	SCREW BAIL HOLDER	64	SCREW OSCILLATION GEAR		