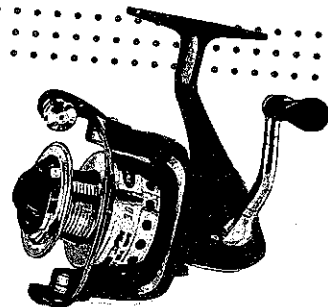


# LEW'S LASER SPEED SPIN®

## LS100a



Speed Spin® reels are designed to be **Lighter, Faster and Stronger**.  
 Driven by innovation – Fueled with Passion  
**Feel the Difference!**

### LASER® SPEED SPIN® LS100a

Model	Weight	Gear Ratio	Reel Specifications	
			Line Capacity	IPT
LS100a	6.7 OZ.	5.2:1	110/4 LB.	24"
LS200a	7.0 OZ.	5.2:1	120/6 LB.	26"
LS300a	9.9 OZ.	5.2:1	190/8 LB.	31"
LS400a	10.2 OZ.	5.2:1	240/10 LB.	33"

**10 Bearings System**

#### FEATURES:

- Rugged graphite painted body and rotor
- Double anodized aluminum spool with titanium lip and gold accent lines
- Larger diameter spool for longer casting and faster line retrieve
- Strong and balanced thick aluminum bail
- Thin compact gear box
- Quality ten bearing system
- Zero-Reverse one-way clutch bearing
- Machined aluminum handle with Soft Tough handle knob
- Adjustable for right or left hand retrieve

## LASER® SPEED SPIN® LS100a

### Maintenance and Care

While applying lubricant to your Laser® reel, avoid using multi-purpose oil. Use lightweight silicone based oils or greases made for fishing reels. Apply oil to all bearings, the crank shaft, and the worm gear. Apply grease to the bushings, pinion gears, drive gears, and crank gears. **fig 1**

After usage your reel should be inspected for dirt or sand and cleaned if excessive buildup is present. If your reel has come in contact with saltwater it is important to flush all parts with water, dry and re-lubricate your reel. Through diligent cleaning and maintenance your Lew's® reel will provide you with years of reliability and sound performance.

For professional cleaning and maintenance send your reel postage prepaid to:

LEW'S® 2253 E. Bennett St. Springfield, MO 65804

417-881-5397 [www.lews.com](http://www.lews.com)

### One Year Limited Warranty

Lew's® warrants its products<sup>1</sup> to withstand normal<sup>2</sup> use for the purpose designed and intended when manufactured for a period of one (1) year from the original retail sale date to the original retail consumer. Lew's® will at its option repair or replace<sup>3</sup> Lew's® products when required for the warranty period and return<sup>4</sup> the product to the owner at no additional<sup>5</sup> cost to the owner.

<sup>1</sup>Numerous products have been manufactured under variations of the Lew's® name and under the Lew's® Logo by multiple businesses over the past 50 years. This warranty is specifically for products manufactured on behalf of Lew's® of Springfield, Missouri USA since January 1, 2010. Lew's® products manufactured by or on behalf of other entities prior to January 1, 2010 are not covered by this warranty. In all circumstances, this Warranty is Limited in Value to the original retail value of the product and is limited to actual damage to the Lew's® product and only the Lew's® product. <sup>2</sup>Loss of a product, and loss/damage of a product or parts due to the attempted repair or servicing of a Lew's® product by any person or business other than Lew's® or Lew's® Authorized Warranty Service Agent, and damage caused by or resulting from abuse, misuse, lack of recommended maintenance, accident, acts of God, and shipping damages occurring in transit to Lew's® or Lew's® Authorized Agent are outside the scope of Lew's® Limited Warranty and will be repaired through Lew's® after warranty services at the expense of the consumer. <sup>3</sup>Any products replaced by Lew's® will be new or remanufactured by a Lew's® Authorized Agent with the same or next model upgrade product. <sup>4</sup>Lew's® will return warranted products to the consumer by reasonable means as determined by Lew's®. <sup>5</sup>Express or expedited services are the responsibility of the consumer as is sending the product to Lew's® or Lew's® Authorized Agent, for Warranty Service. Lew's® and Lew's® Service Agents as authorized by Lew's® are the sole agents authorized to repair or replace Lew's® products under the terms of this warranty. Only written changes by an officer of Lew's® can alter the terms or conditions of this warranty. This warranty gives you specific legal rights including additional rights extended by some states which do not allow certain exclusions and limitations. Any action brought against Lew's® for the purpose of settling a warranty dispute shall be brought and litigated in the State of Missouri, County of Greene.

Lew's® 2253 E Bennett, Springfield, MO 65804 Phone 1-417-881-LEWS (5397) FAX: 1-417-881-5387



# LASER SPEED SPIN<sup>®</sup> LS100a

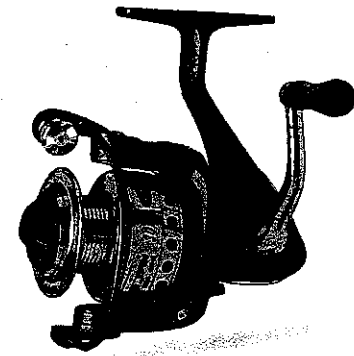
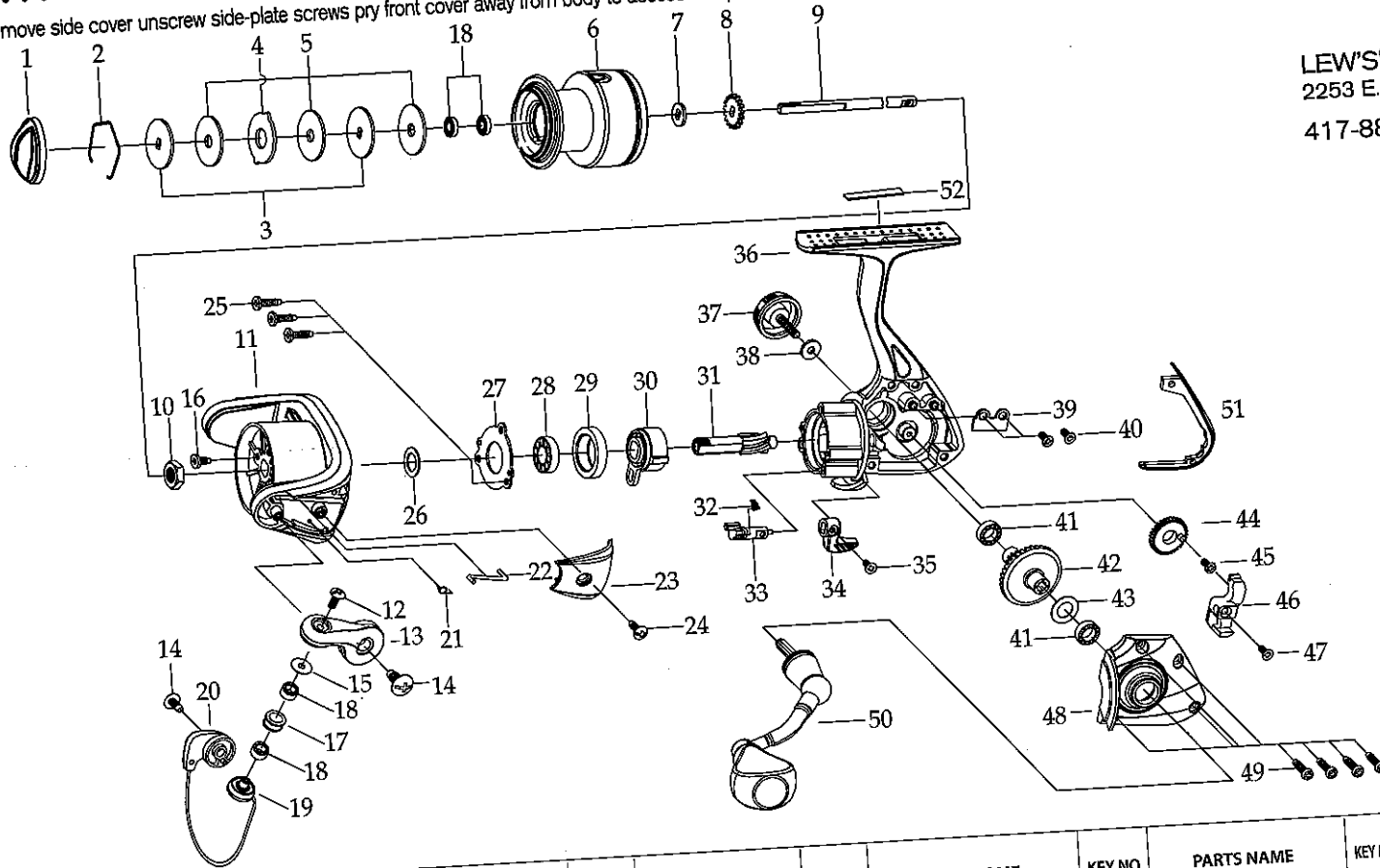


fig 1 To remove side cover unscrew side-plate screws pry front cover away from body to access components

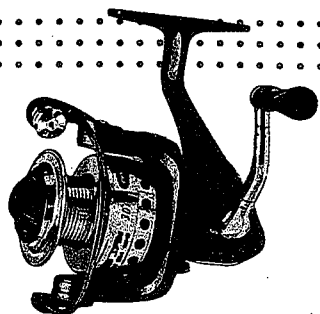


LEWIS<sup>®</sup>  
2253 E. Bennett St. Springfield, MO 65804  
417-881-5397 [www.lewis.com](http://www.lewis.com)

KEY NO.	PARTS NAME	KEY NO.	PARTS NAME	KEY NO.	PARTS NAME	KEY NO.	PARTS NAME	KEY NO.	PARTS NAME	KEY NO.	PARTS NAME
1	DRAG KNOB ASSEMBLY	8	CLICK GEAR	15	WASHER	22	BAIL TRIP SHAFT	29	BALL BEARING CAP	36	BODY
2	DRAG WASHER RETAINER	9	MAIN SHAFT	16	SCREW	23	BAIL SPRING COVER	30	ONE WAY CLUTCH BEARING	37	HANDLE SCREW CAP
3	KEY WASHER	10	ROTOR NUT	17	LINE ROLLER	24	SCREW	31	PINION GEAR	38	WASHER
4	EARED WASHER	11	ROTOR ASSEMBLY	18	BALL BEARING	25	SCREW	32	SPRING	39	CONTROL MOVIE
5	WASHER	12	SCREW	19	BAIL ASSEMBLY	26	WASHER	33	ANTI-REVERSE CAM	40	SCREW
6	SPOOL ASSEMBLY	13	BAIL ARM	20	BAIL HOLDER	27	RETAINER	34	ANTI-REVERSE LEVER	41	BALL BEARING
7	WASHER	14	SCREW	21	SPRING	28	BALL BEARING	35	SCREW	42	DRIVE GEAR
										43	WASHER
										44	OSCILLATING GEAR
										45	SCREW
										46	OSCILLATING SLIDER
										47	SCREW
										48	BODY COVER
										49	SCREW
										50	HANDLE ASSEMBLY
										51	BODY CAP
										52	FOOT COORDINATE



LS200a



Speed Spin® reels are designed to be Lighter, *Faster* and **Stronger**

*Driven by innovation – Fueled with Passion*

**Feel the Difference!**

**LASER®**  
**SPEED SPIN® LS200a**

**Reel Specifications**

Model	Weight	Gear Ratio	Line Capacity	IPT
LS100a	6.7 OZ.	5.2:1	110/4 LB.	24"
LS200a	7.0 OZ.	5.2:1	120/6 LB.	26"
LS300a	9.9 OZ.	5.2:1	190/8 LB.	31"
LS400a	10.2 OZ.	5.2:1	240/10 LB.	33"

**10 Bearings System**

**FEATURES:**

- Rugged graphite painted body and rotor
- Double anodized aluminum spool with titanium lip and gold accent lines
- Larger diameter spool for longer casting and faster line retrieve
- Strong and balanced thick aluminum bail
- Thin compact gear box
- Quality ten bearing system
- Zero-Reverse one-way clutch bearing
- Machined aluminum handle with Soft Tough handle knob
- Adjustable for right or left hand retrieve

**LASER®**  
**SPEED SPIN® LS200a** **Maintenance and Care**

While applying lubricant to your Laser® reel, avoid using multi-purpose oil. Use lightweight silicone based oils or greases made for fishing reels. Apply oil to all bearings, the crank shaft, and the worm gear. Apply grease to the bushings, pinion gears, drive gears, and crank gears. **fig 1**

After usage your reel should be inspected for dirt or sand and cleaned if excessive buildup is present. If your reel has come in contact with saltwater it is important to flush all parts with water, dry and re-lubricate your reel. Through diligent cleaning and maintenance your Lew's® reel will provide you with years of reliability and sound performance.

For professional cleaning and maintenance send your reel postage prepaid to:

LEW'S® 2253 E. Bennett St. Springfield, MO 65804

417-881-5397 [www.lews.com](http://www.lews.com)

**One Year Limited Warranty**

Lew's® Warrants its products<sup>1</sup> to withstand normal<sup>2</sup> use for the purpose designed and intended when manufactured for a period of one (1) year from the original retail sale date to the original retail consumer. Lew's® will at its option repair or replace<sup>3</sup> Lew's® products when required for the warranty period and return<sup>4</sup> the product to the owner at no additional<sup>5</sup> cost to the owner.

<sup>1</sup>Numerous products have been manufactured under variations of the Lew's® name and under the Lew's® Logo by multiple businesses over the past 50 years. This warranty is specifically for products manufactured on behalf of Lew's® of Springfield, Missouri USA since January 1, 2010. Lew's® products manufactured by or on behalf of other entities prior to January 1, 2010 are not covered by this warranty. In all circumstances, this Warranty is Limited in Value to the original retail value of the product and is limited to actual damage to the Lew's® product and only the Lew's® product. <sup>2</sup>Loss of a product, and loss/damage of a product or parts due to the attempted repair or servicing of a Lew's® product by any person or business other than Lew's® or Lew's® Authorized Warranty Service Agent, and damage caused by or resulting from abuse, misuse, lack of recommended maintenance, accident, acts of God, and shipping damages occurring in transit to Lew's® or Lew's® Authorized Agent are outside the scope of Lew's® Limited Warranty and will be repaired through Lew's® after warranty services at the expense of the consumer. <sup>3</sup>Any products replaced by Lew's® will be new or remanufactured by a Lew's® Authorized Agent with the same or next model upgrade product. <sup>4</sup>Lew's® will return warranted products to the consumer by reasonable means as determined by Lew's®. <sup>5</sup>Express or expedited services are the responsibility of the consumer as is sending the product to Lew's® or Lew's® Authorized Agent, for Warranty Service. Lew's® and Lew's® Service Agents as authorized by Lew's® are the sole agents authorized to repair or replace Lew's® products under the terms of this warranty. Only written changes by an officer of Lew's® can alter the terms or conditions of this warranty.

This warranty gives you specific legal rights including additional rights extended by some states which do not allow certain exclusions and limitations. Any action brought against Lew's® for the purpose of settling a warranty dispute shall be brought and litigated in the State of Missouri, County of Greene.



# LASER<sup>®</sup> SPEED SPIN<sup>®</sup> LS200a

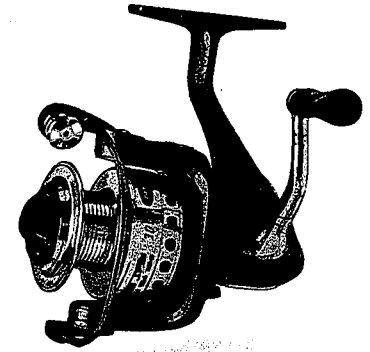
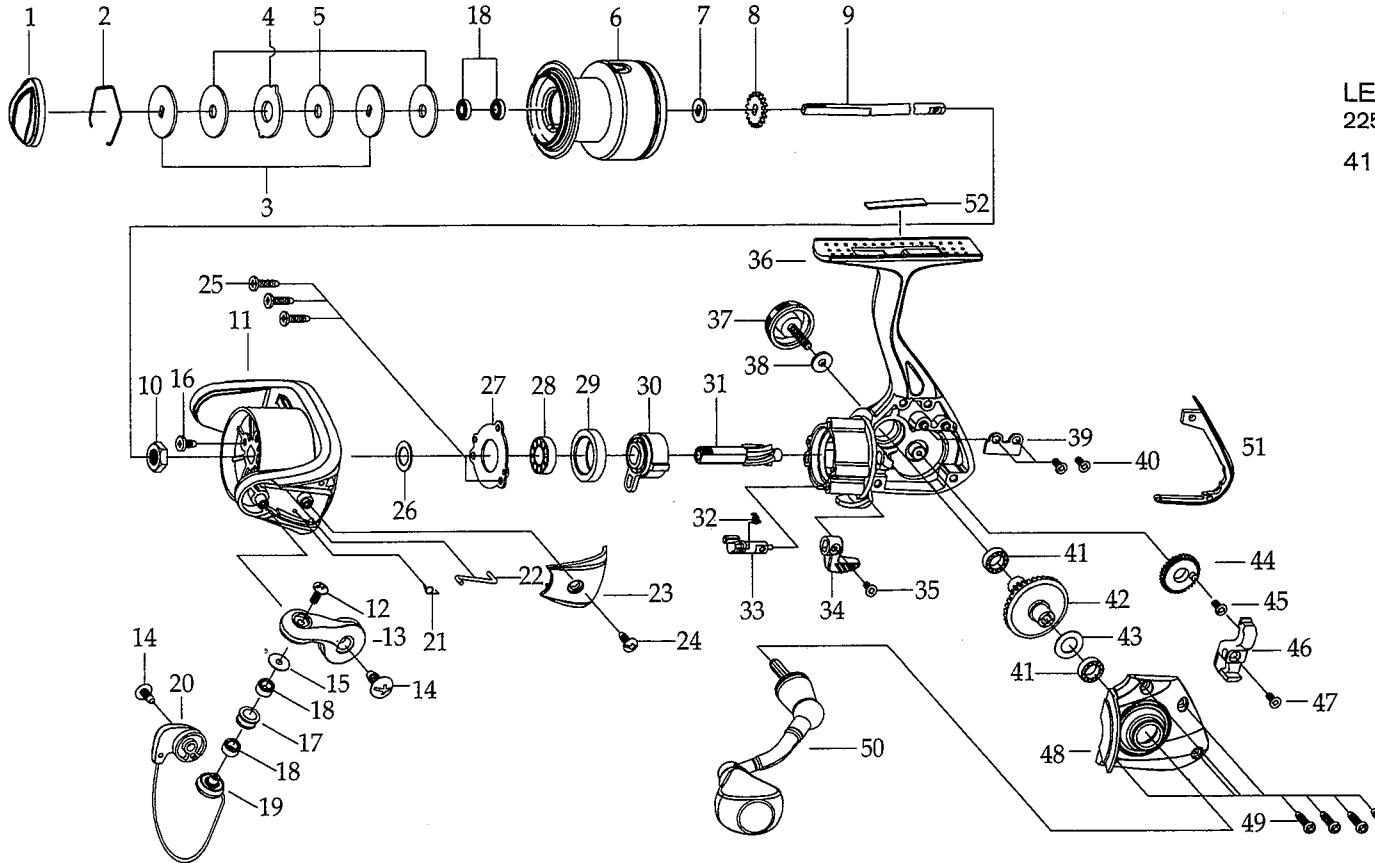
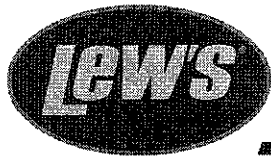


fig 1 To remove side cover unscrew side-plate screws pry front cover away from body to access components



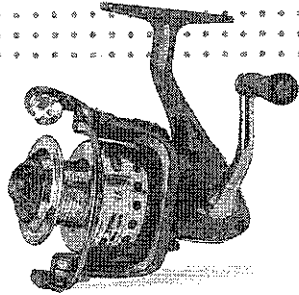
LEW'S<sup>®</sup>  
2253 E. Bennett St. Springfield, MO 65804  
417-881-5397 [www.lews.com](http://www.lews.com)

KEY NO.	PARTS NAME	KEY NO.	PARTS NAME	KEY NO.	PARTS NAME	KEY NO.	PARTS NAME	KEY NO.	PARTS NAME	KEY NO.	PARTS NAME
1	DRAG KNOB ASSEMBLY	8	CLICK GEAR	15	WASHER	22	BAIL TRIP SHAFT	29	BALL BEARING CAP	36	BODY
2	DRAG WASHER RETAINER	9	MAIN SHAFT	16	SCREW	23	BAIL SPRING COVER	30	ONE WAY CLUTCH BEARING	37	HANDLE SCREW CAP
3	KEY WASHER	10	ROTOR NUT	17	LINE ROLLER	24	SCREW	31	PINION GEAR	38	WASHER
4	EARED WASHER	11	ROTOR ASSEMBLY	18	BALL BEARING	25	SCREW	32	SPRING	39	CONTROL MOVIE
5	WASHER	12	SCREW	19	BAIL ASSEMBLY	26	WASHER	33	ANTI-REVERSE CAM	40	SCREW
6	SPOOL ASSEMBLY	13	BAIL ARM	20	BAIL HOLDER	27	RETAINER	34	ANTI-REVERSE LEVER	41	BALL BEARING
7	WASHER	14	SCREW	21	SPRING	28	BALL BEARING	35	SCREW	42	DRIVE GEAR
										43	WASHER
										44	OSCILLATING GEAR
										45	SCREW
										46	OSCILLATING SLIDER
										47	SCREW
										48	BODY COVER
										49	SCREW
										50	HANDLE ASSEMBLY
										51	BODY CAP
										52	FOOT COORDINATE



# LASER<sup>®</sup> SPEED SPIN<sup>®</sup>

## LS300a



Speed Spin<sup>®</sup> reels are designed to be **Lighter, Faster and Stronger**

*Driven by innovation – Fueled with Passion*  
**Feel the Difference!**

### LASER<sup>®</sup> SPEED SPIN<sup>®</sup> LS300a

#### Reel Specifications

Model	Weight	Gear Ratio	Line Capacity	IPT
LS100a	6.7 OZ.	5.2:1	110/4 LB.	24"
LS200a	7.0 OZ.	5.2:1	120/6 LB.	26"
LS300a	9.9 OZ.	5.2:1	190/8 LB.	31"
LS400a	10.2 OZ.	5.2:1	240/10 LB.	33"



#### FEATURES:

- Rugged graphite painted body and rotor
- Double anodized aluminum spool with titanium lip and gold accent lines
- Larger diameter spool for longer casting and faster line retrieve
- Strong and balanced thick aluminum bail
- Thin compact gear box
- Quality ten bearing system
- Zero-Reverse one-way clutch bearing
- Machined aluminum handle with Soft Tough handle knob
- Adjustable for right or left hand retrieve

### LASER<sup>®</sup> SPEED SPIN<sup>®</sup> LS300a

#### Maintenance and Care

While applying lubricant to your Laser<sup>®</sup> reel, avoid using multi-purpose oil. Use lightweight silicone based oils or greases made for fishing reels. Apply oil to all bearings, the crank shaft, and the worm gear. Apply grease to the bushings, pinion gears, drive gears, and crank gears. **fig 1**

After usage your reel should be inspected for dirt or sand and cleaned if excessive buildup is present. If your reel has come in contact with saltwater it is important to flush all parts with water, dry and re-lubricate your reel. Through diligent cleaning and maintenance your Lew's<sup>®</sup> reel will provide you with years of reliability and sound performance.

For professional cleaning and maintenance send your reel postage prepaid to:

LEW'S<sup>®</sup> 2253 E. Bennett St. Springfield, MO 65804

417-881-5397 [www.lews.com](http://www.lews.com)

#### One Year Limited Warranty

Lew's<sup>®</sup> warrants its products<sup>1</sup> to withstand normal<sup>2</sup> use for the purpose designed and intended when manufactured for a period of one (1) year from the original retail sale date to the original retail consumer. Lew's<sup>®</sup> will at its option repair or replace<sup>3</sup> Lew's<sup>®</sup> products when required for the warranty period and return<sup>4</sup> the product to the owner at no additional<sup>5</sup> cost to the owner.

<sup>1</sup>Numerous products have been manufactured under variations of the Lew's<sup>®</sup> name and under the Lew's<sup>®</sup> Logo by multiple businesses over the past 50 years. This warranty is specifically for products manufactured on behalf of Lew's<sup>®</sup> of Springfield, Missouri USA since January 1, 2010. Lew's<sup>®</sup> products manufactured by or on behalf of other entities prior to January 1, 2010 are not covered by this warranty. In all circumstances, this Warranty is Limited in Value to the original retail value of the product and is limited to actual damage to the Lew's<sup>®</sup> product and only the Lew's<sup>®</sup> product. <sup>2</sup>Loss of a product, and loss/damage of a product or parts due to the attempted repair or servicing of a Lew's<sup>®</sup> product by any person or business other than Lew's<sup>®</sup> or Lew's<sup>®</sup> Authorized Warranty Service Agent, and damage caused by or resulting from abuse, misuse, lack of recommended maintenance, accident, acts of God, and shipping damages occurring in transit to Lew's<sup>®</sup> or Lew's<sup>®</sup> Authorized Agent are outside the scope of Lew's<sup>®</sup> Limited Warranty and will be repaired through Lew's<sup>®</sup> after warranty services at the expense of the consumer. <sup>3</sup>Any products replaced by Lew's<sup>®</sup> will be new or remanufactured by a Lew's<sup>®</sup> Authorized Agent with the same or next model upgrade product. <sup>4</sup>Lew's<sup>®</sup> will return warranted products to the consumer by reasonable means as determined by Lew's<sup>®</sup>. <sup>5</sup>Express or expedited services are the responsibility of the consumer as is sending the product to Lew's<sup>®</sup> or Lew's<sup>®</sup> Authorized Agent, for Warranty Service. Lew's<sup>®</sup> and Lew's<sup>®</sup> Service Agents as authorized by Lew's<sup>®</sup> are the sole agents authorized to repair or replace Lew's<sup>®</sup> products under the terms of this warranty. Only written changes by an officer of Lew's<sup>®</sup> can alter the terms or conditions of this warranty.

This warranty gives you specific legal rights including additional rights extended by some states which do not allow certain exclusions and limitations. Any action brought against Lew's<sup>®</sup> for the purpose of settling a warranty dispute shall be brought and litigated in the State of Missouri, County of Greene.

Lew's<sup>®</sup> 2253 E Bennett, Springfield, MO 65804 Phone 1-417-881-LEWS (6397) FAX: 1-417-881-5387

# LEW'S LASER SPEED SPIN<sup>®</sup> LS300a

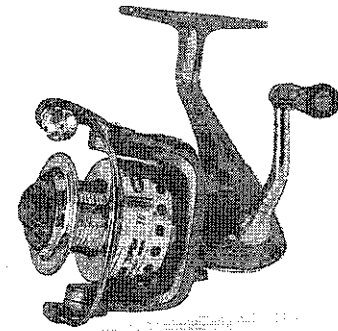
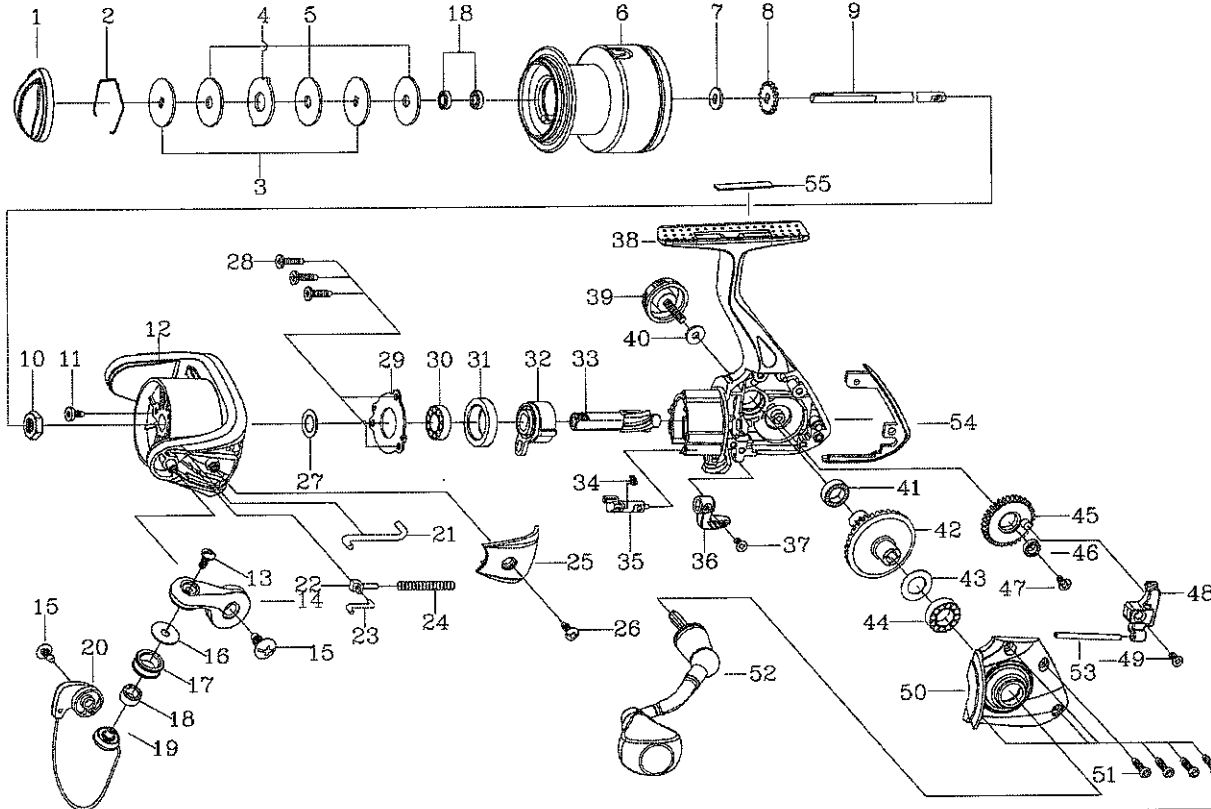


fig 1 To remove side cover unscrew side-plate screws pry front cover away from body to access components

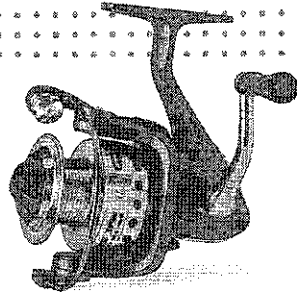


LEW'S<sup>®</sup>  
 2253 E. Bennett St. Springfield, MO 65804  
 417-881-5397 www.lews.com

KEY NO.	PARTS NAME	KEY NO.	PARTS NAME	KEY NO.	PARTS NAME	KEY NO.	PARTS NAME	KEY NO.	PARTS NAME
1	DRAG KNOB ASSEMBLY	8	CLICK GEAR	15	SCREW	22	INSERT OSCILLATING SLIDER	29	RETAINER
2	CLICK RING PLATE	9	MAIN SHAFT ASSEMBLY	16	WASHER	23	INSERT METAL	30	BALL BEARING
3	KEY WASHER	10	ROTOR NUT	17	LINE ROLLER	24	BAIL SPRING	31	BALL BEARING CAP
4	EARED WASHER	11	SCREW	18	BALL BEARING	25	BAIL SPRING COVER	32	ONE WAY CLUTCH BEARING
5	WASHER	12	ROTOR ASSEMBLY	19	BAIL ASSEMBLY	26	SCREW	33	PINION GEAR
6	SPOOL ASSEMBLY	13	SCREW	20	BAIL HOLDER	27	WASHER	34	SPRING
7	WASHER	14	BALL ARM	21	BAIL TRIP SHAFT	28	SCREW	35	ANTI-REVERSE CAM
								45	OSCILLATING GEAR
								46	BALL BEARING
								47	SCREW
								48	OSCILLATING SLIDER
								49	SCREW
								50	BODY COVER
								51	SCREW
								52	HANDLE ASSEMBLY
								53	GUIDE PIN
								54	BODY CAP
								55	FOOT COORDINATE



LS400a



Speed Spin® reels are designed to be **Lighter, Faster and Stronger**

*Driven by innovation – Fueled with Passion*  
**Feel the Difference!**

**LASER®**  
**SPEED SPIN® LS400a**

**Reel Specifications**

Model	Weight	Gear Ratio	Line Capacity	IPT
LS100a	6.7 OZ.	5.2:1	110/4 LB.	24"
LS200a	7.0 OZ.	5.2:1	120/6 LB.	26"
LS300a	9.9 OZ.	5.2:1	190/8 LB.	31"
LS400a	10.2 OZ.	5.2:1	240/10 LB.	33"



**FEATURES:**

- Rugged graphite painted body and rotor
- Double anodized aluminum spool with titanium lip and gold accent lines
- Larger diameter spool for longer casting and faster line retrieve
- Strong and balanced thick aluminum bail
- Thin compact gear box
- Quality ten bearing system
- Zero-Reverse one-way clutch bearing
- Machined aluminum handle with Soft Tough handle knob
- Adjustable for right or left hand retrieve

**LASER®**  
**SPEED SPIN® LS400a** **Maintenance and Care**

While applying lubricant to your Laser® reel, avoid using multi-purpose oil. Use lightweight silicone based oils or greases made for fishing reels. Apply oil to all bearings, the crank shaft, and the worm gear. Apply grease to the bushings, pinion gears, drive gears, and crank gears. **fig 1**

After usage your reel should be inspected for dirt or sand and cleaned if excessive buildup is present. If your reel has come in contact with saltwater it is important to flush all parts with water, dry and re-lubricate your reel. Through diligent cleaning and maintenance your Lew's® reel will provide you with years of reliability and sound performance.

For professional cleaning and maintenance send your reel postage prepaid to:

LEW'S® 2253 E. Bennett St. Springfield, MO 65804

417-881-5397 [www.lews.com](http://www.lews.com)

**One Year Limited Warranty**

Lew's® warrants its products<sup>1</sup> to withstand normal<sup>2</sup> use for the purpose designed and intended when manufactured for a period of one (1) year from the original retail sale date to the original retail consumer. Lew's® will at its option repair or replace<sup>3</sup> Lew's® products when required for the warranty period and return<sup>4</sup> the product to the owner at no additional<sup>5</sup> cost to the owner.

<sup>1</sup>Numerous products have been manufactured under variations of the Lew's® name and under the Lew's® Logo by multiple businesses over the past 50 years. This warranty is specifically for products manufactured on behalf of Lew's® of Springfield, Missouri USA since January 1, 2010. Lew's® products manufactured by or on behalf of other entities prior to January 1, 2010 are not covered by this warranty. In all circumstances, this Warranty is Limited in Value to the original retail value of the product and is limited to actual damage to the Lew's® product and only the Lew's® product. <sup>2</sup>Loss of a product, and loss/damage of a product or parts due to the attempted repair or servicing of a Lew's® product by any person or business other than Lew's® or Lew's® Authorized Warranty Service Agent, and damage caused by or resulting from abuse, misuse, lack of recommended maintenance, accident, acts of God, and shipping damages occurring in transit to Lew's® or Lew's® Authorized Agent are outside the scope of Lew's® Limited Warranty and will be repaired through Lew's® after warranty services at the expense of the consumer. <sup>3</sup>Any products replaced by Lew's® will be new or remanufactured by a Lew's® Authorized Agent with the same or next model upgrade product. <sup>4</sup>Lew's® will return warranted products to the consumer by reasonable means as determined by Lew's®. <sup>5</sup>Express or expedited services are the responsibility of the consumer as is sending the product to Lew's® or Lew's® Authorized Agent, for Warranty Service. Lew's® and Lew's® Service Agents as authorized by Lew's® are the sole agents authorized to repair or replace Lew's® products under the terms of this warranty. Only written changes by an officer of Lew's® can alter the terms or conditions of this warranty.

This warranty gives you specific legal rights including additional rights extended by some states which do not allow certain exclusions and limitations. Any action brought against Lew's® for the purpose of settling a warranty dispute shall be brought and litigated in the State of Missouri, County of Greene.

Lew's® 2253 E Bennett, Springfield, MO 65804 Phone 1-417-881-LEWS (5397) FAX: 1-417-881-5387

# LEW'S LASER SPEED SPIN<sup>®</sup> LS400a

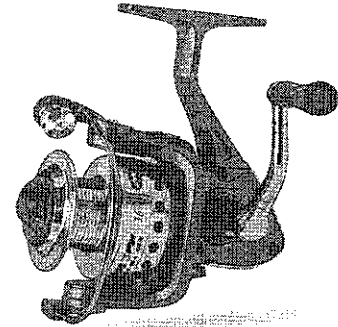
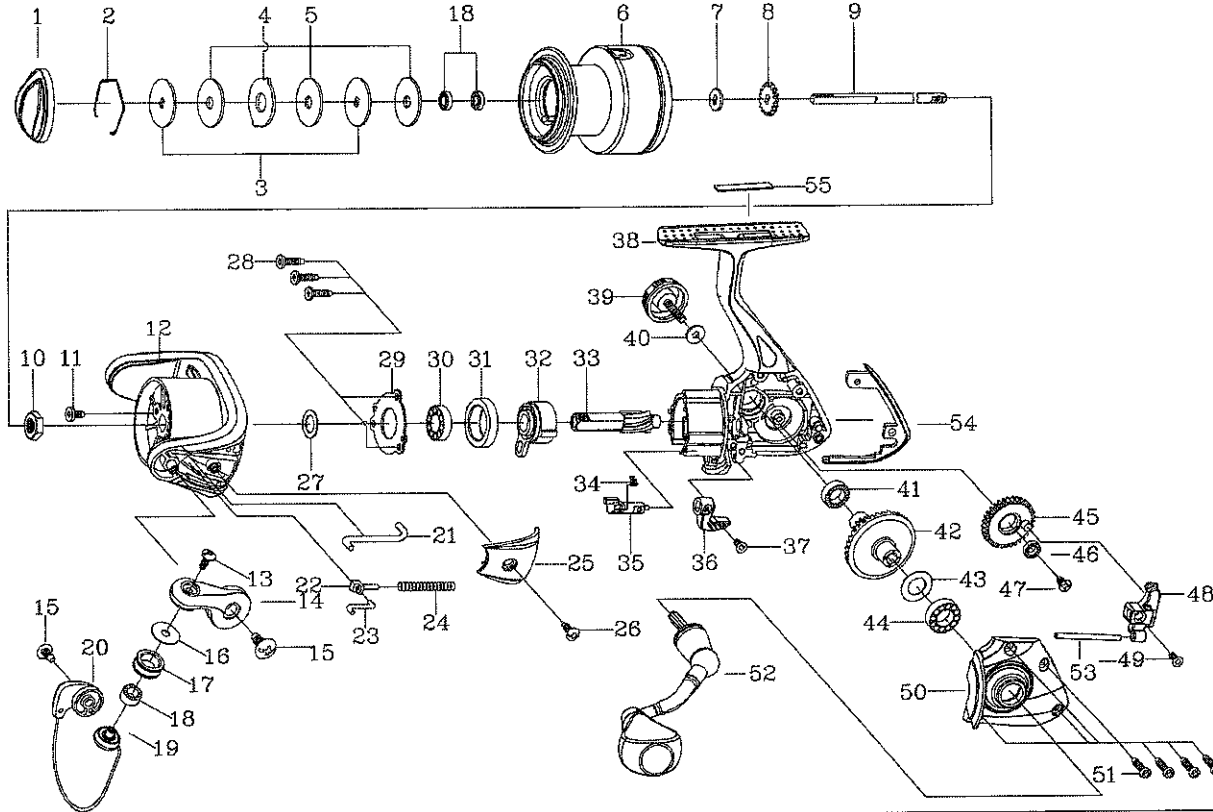


fig 1 To remove side cover unscrew side-plate screws pry front cover away from body to access components



LEW'S<sup>®</sup>  
 2253 E. Bennett St. Springfield, MO 65804  
 417-881-5397 www.lews.com

KEY NO.	PARTS NAME	KEY NO.	PARTS NAME	KEY NO.	PARTS NAME	KEY NO.	PARTS NAME	KEY NO.	PARTS NAME
1	DRAG KNOB ASSEMBLY	8	CLICK GEAR	15	SCREW	22	INSERT OSCILLATING SLIDER	29	RETAINER
2	CLICK RING PLATE	9	MAIN SHAFT ASSEMBLY	16	WASHER	23	INSERT METAL	30	BALL BEARING
3	KEY WASHER	10	ROTOR NUT	17	LINE ROLLER	24	BAIL SPRING	31	BALL BEARING CAP
4	EARED WASHER	11	SCREW	18	BALL BEARING	25	BAIL SPRING COVER	32	ONE WAY CLUTCH BEARING
5	WASHER	12	ROTOR ASSEMBLY	19	BAIL ASSEMBLY	26	SCREW	33	PINION GEAR
6	SPOOL ASSEMBLY	13	SCREW	20	BAIL HOLDER	27	WASHER	34	SPRING
7	WASHER	14	BALL ARM	21	BAIL TRIP SHAFT	28	SCREW	35	ANTI-REVERSE CAM
								45	OSCILLATING GEAR
								46	BALL BEARING
								47	SCREW
								48	OSCILLATING SLIDER
								49	SCREW
								50	BODY COVER
								51	SCREW
								52	HANDLE ASSEMBLY
								53	GUIDE PIN
								54	BODY CAP
								55	FOOT COORDINATE