

LASER[®] XL

LXL50, LXL60, LXL70, LXL80



Driven by innovation –
Fueled with Passion
Feel the Difference!

LASER[®] XL Spinning Reel



Reel Specifications

Model	Weight (oz.)	Line Capacity (yd./lb.)	Gear Ratio	RPT*
LXL50	13.1	285/15	5.1:1	30"
LXL60	13.7	255/20	5.1:1	31"
LXL70	23.5	330/20	4.4:1	37"
LXL80	25.1	320/25	4.4:1	40"

*Recovery per turn.

FEATURES:

- Ball bearing drive
- Rugged graphite body and rotor
- Anodized aluminum spool
- Aluminum folding handle with performance handle knob
- Speed Lube™ for exceptional smoothness and uninterrupted performance in all weather conditions from extreme heat to freezing cold
- Right/Left hand retrieve

ATTENTION BRAIDED LINE USERS!

If your Lew's[®] Spinning reel has a knurled spool or rubber arbor (designed for tying braided line directly to the spool), you can tie braid directly to your spool using a uni-knot.

If your Lew's[®] spinning reel does not have a knurled spool or rubber arbor, you will need to first tie on and spool at least 20 revolutions of monofilament line, with either a back-to-back uni-knot or an Albright knot.

Continue to spool your reel as normal, keeping strong tension on the line to ensure the line is firmly wound onto the spool to keep from "digging in" to underlying line layers when pressure is put on the line from fighting fish.

FAILURE TO PROPERLY SPOOL BRAIDED LINE ONTO YOUR REELS SPOOL WILL RESULT IN LINE SLIPPAGE, AND THE IMPRESSION YOUR DRAG IS NOT WORKING PROPERLY.

Maintenance and Care

While applying lubricant to your Laser[®] XL Speed Spin[®] reel, avoid using multi-purpose oil. Use lightweight silicone based oils or greases made for fishing reels. Apply oil to all bearings and the main shaft. Apply grease to the bushings, pinion gears and main gears.

After usage your reel should be inspected for dirt or sand and cleaned if excessive buildup is present. If your reel has come in contact with saltwater it is important to flush all parts with water, dry and re-lubricate your reel. Through diligent cleaning and maintenance your Lew's[®] reel will provide you with years of reliability and sound performance.

One Year Limited Warranty

For Warranty information and registration go to lews.com

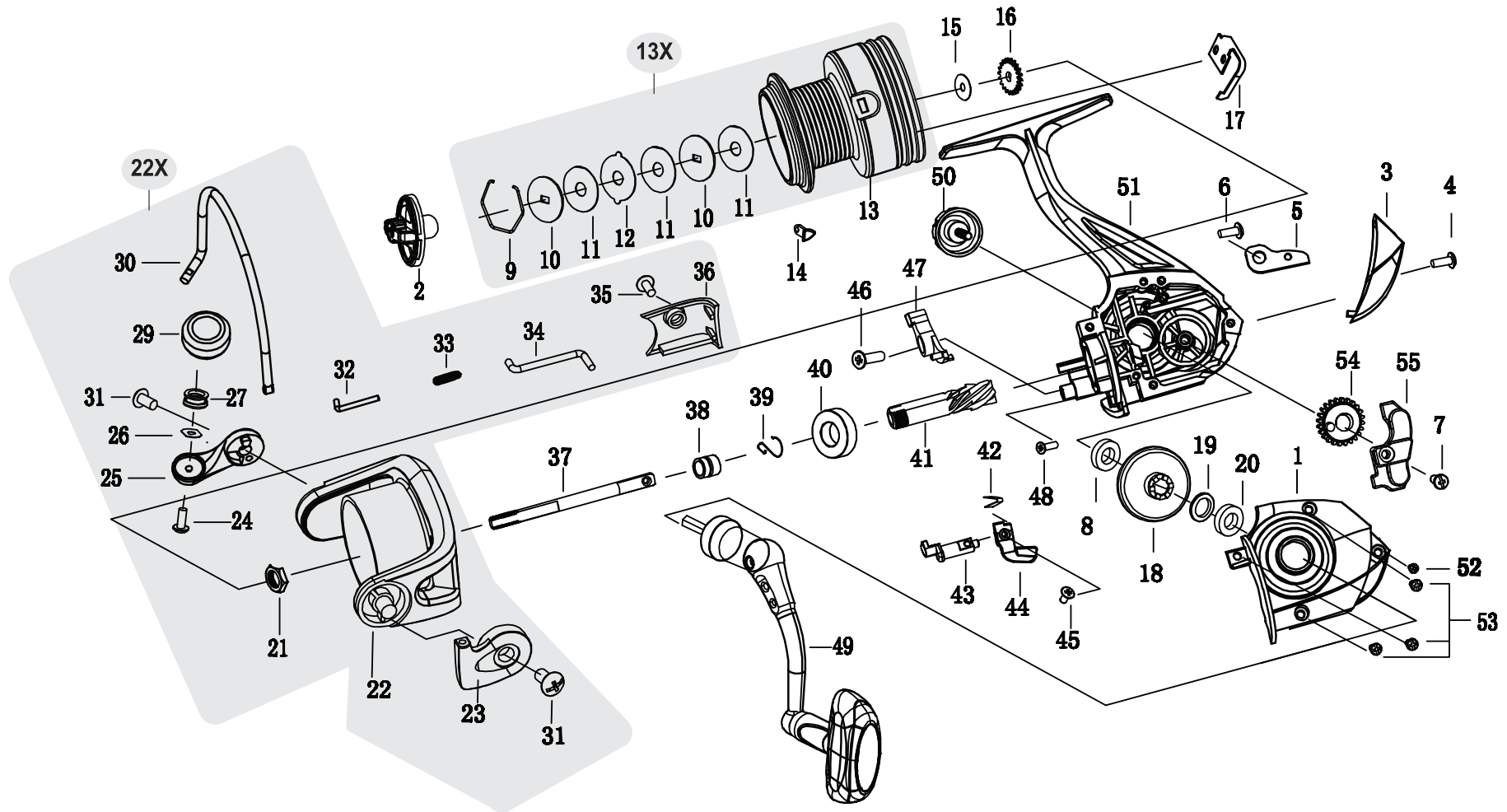
Lew's[®] warrants its products¹ to withstand normal² use for the purpose designed and intended when manufactured for a period of one (1) year from the original retail sale date to the original retail consumer. Lew's[®] will at its option repair or replace³ Lew's[®] products when required for the warranty period and return⁴ the product to the owner at no additional⁵ cost to the owner.

¹Numerous products have been manufactured under variations of the Lew's[®] name and under the Lew's[®] Logo by multiple businesses over the past 50 years. This warranty is specifically for products manufactured on behalf of Lew's[®] of Springfield, Missouri, USA since January 1, 2010. Lew's[®] products manufactured by or on behalf of other entities prior to January 1, 2010 are not covered by this warranty. In all circumstances, this Warranty is Limited in Value to the original retail value of the product and is limited to actual damage to the Lew's[®] product and only the Lew's[®] product. ²Loss of a product, and loss/damage of a product or parts due to the attempted repair or servicing of a Lew's[®] product by any person or business other than Lew's[®] or Lew's[®] Authorized Warranty Service Agent, and damage caused by or resulting from abuse, misuse, lack of recommended maintenance, accident, acts of God, and shipping damages occurring in transit to Lew's[®] or Lew's[®] Authorized Agent are outside the scope of Lew's[®] Limited Warranty and will be repaired through Lew's[®] after warranty services at the expense of the consumer. ³Any products replaced by Lew's[®] will be new or remanufactured by a Lew's[®] Authorized Agent with the same or next model upgrade product. ⁴Lew's[®] will return warranted products to the consumer by reasonable means as determined by Lew's[®]. ⁵Express or expedited services are the responsibility of the consumer as is sending the product to Lew's[®] or Lew's[®] Authorized Agent, for Warranty Service. Lew's[®] and Lew's[®] Service Agents as authorized by Lew's[®] are the sole agents authorized to repair or replace Lew's[®] products under the terms of this warranty. Only written changes by an officer of Lew's[®] can alter the terms or conditions of this warranty.

This warranty gives you specific legal rights including additional rights extended by some states which do not allow certain exclusions and limitations. Any action brought against Lew's[®] for the purpose of settling a warranty dispute shall be brought and litigated in the State of Missouri, County of Greene.

LASER^{XL} Spinning Reel

LXL50, LXL60, LXL70, LXL80



NO. PARTS NAME	NO. PARTS NAME	NO. PARTS NAME	NO. PARTS NAME	NO. PARTS NAME	NO. PARTS NAME
1. BODY COVER	12. EARED WASHER	22X. ROTOR ASSEMBLY	33. SPRING	43. ANTI-REVERSE SHAFT	52. SCREW
2. DRAG KNOB	13. SPOOL	23. BAIL HOLDER	34. KICK LEVER	44. ANTI-REVERSE SWITCH	53. SCREW
3. BODY CAP	13X. SPOOL ASSEMBLY	24. SCREW	35. SCREW	45. SCREW	54. OSCILLATING GEAR
4. SCREW	15. CLICK GEAR WASHER	25. BAIL ARM	36. BAIL ARM CAP	46. SCREW	55. SLIDER
5. BALANCE SLIDER	16. CLICK GEAR	26. WASHER	37. MAIN SHAFT	47. ANTI-REVERSE SLIDER	
6. SCREW	17. CLICKER	27. LINE ROLLER	38. INNER KEEPER	48. SCREW	
7. SCREW	18. MAIN GEAR	29. BAIL WIRE HOLDER	39. INNER RING	49. HANDLE SET	
9. STOPPER SPRING	19. WASHER	30. BAIL WIRE	40. BALL BEARING	50. HANDLE CAP	
10. KEY WASHER X 2	21. ROTOR NUT	31. SCREW	41. PINION GEAR	51. BODY	
11. DRAG WASHER X 3	22. ROTOR	32. ARM LEVER SHAFT	42. ANTI-REVERSE SPRING		

For professional cleaning and maintenance send your reel postage prepaid to:
 Lew's 3031 N. Martin Ave.
 Springfield, MO 65803
 Phone: 877-470-5397
 or 417-522-1093
 FAX: 1-417-881-5387
 lews.co

