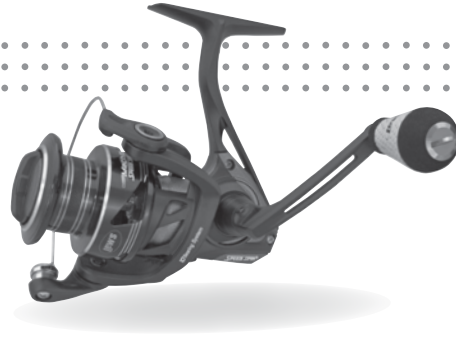




Mach II SPEED SPIN®

MH2 200, MH2 300



Speed Spin reels are designed to be **Lighter, Faster and Stronger**

Driven by innovation – Fueled with Passion
Feel the Difference!

Mach II SPEED SPIN®

Reel Specifications

Model	Weight (oz.)	Gear Ratio	Line Capacity (yd./lb.)	IPT
MH2 200	8.4	6.2:1	120/8	31"
MH2 300	9.1	6.2:1	145/10	32"

FEATURES:

- Rugged, lightweight aluminum body
- Premium 10-bearing system with 9-ball bearings and Zero-Reverse one-way clutch bearing
- 6.2:1 high speed gear ratio
- C40 carbon skeletal rotor
- Double anodized knurled aluminum spool
- Fold down aluminum handle with Winn® advanced polymer Dri-tac handle knobs
- Adjustable for right or left hand retrieve
- Strong and balanced stainless steel bail
- Precision cut solid brass pinion gear
- Oversized multi-disc drag system for smooth performance
- Speed Lube™ for exceptional smoothness and uninterrupted performance in all weather conditions from extreme heat to freezing cold



Maintenance and Care

While applying lubricant to your Speed Spin® reel, avoid using multi-purpose oil. Use lightweight silicone based oils or greases made for fishing reels. Apply oil to all bearings and the shaft. Apply grease to the bushings, pinion gear, drive gear, and oscillation gear.

After usage your reel should be inspected for dirt or sand and cleaned if excessive buildup is present. If your reel has come in contact with saltwater it is important to flush all parts with water, dry and re-lubricate your reel. Through diligent cleaning and maintenance your Lew's® reel will provide you with years of reliability and sound performance.

For professional cleaning and maintenance send your reel postage prepaid to:

LEW'S® 3031 N. Martin, Springfield, MO 65803
877-470-5397 lews.com

One Year Limited Warranty

Lew's® Warrants its products¹ to withstand normal² use for the purpose designed and intended when manufactured for a period of one (1) year from the original retail sale date to the original retail consumer. Lew's® will at its option repair or replace³ Lew's® products when required for the warranty period and return⁴ the product to the owner at no additional⁵ cost to the owner.

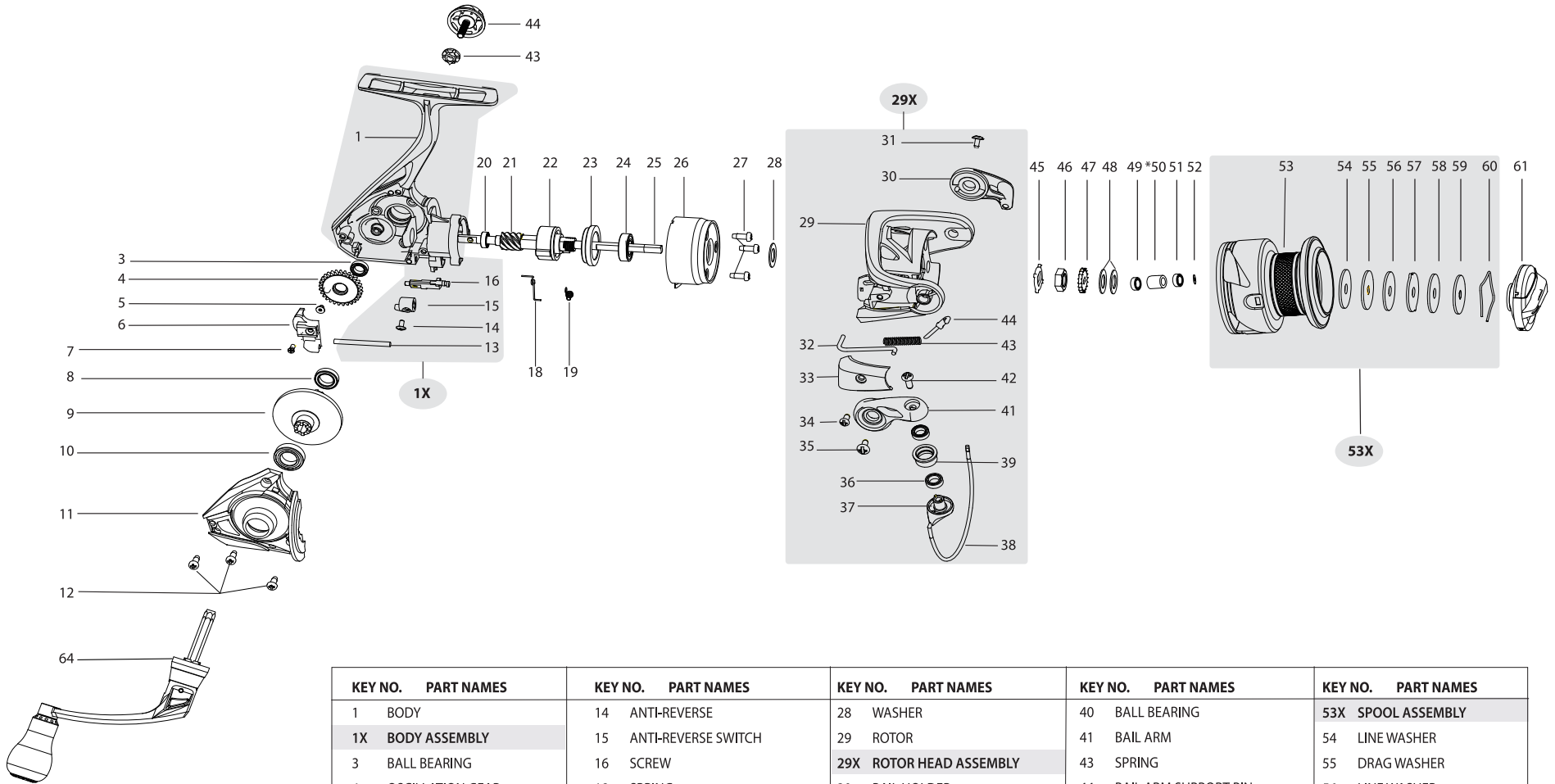
¹Numerous products have been manufactured under variations of the Lew's® name and under the Lew's® Logo by multiple businesses over the past 50 years. This warranty is specifically for products manufactured on behalf of Lew's® of Springfield, Missouri, USA since January 1, 2010. Lew's® products manufactured by or on behalf of other entities prior to January 1, 2010 are not covered by this warranty. In all circumstances, this Warranty is Limited in Value to the original retail value of the product and is limited to actual damage to the Lew's® product and only the Lew's® product. ²Loss of a product, and loss/damage of a product or parts due to the attempted repair or servicing of a Lew's® product by any person or business other than Lew's® or Lew's® Authorized Warranty Service Agent, and damage caused by or resulting from abuse, misuse, lack of recommended maintenance, accident, acts of God, and shipping damages occurring in transit to Lew's® or Lew's® Authorized Agent are outside the scope of Lew's® Limited Warranty and will be repaired through Lew's® after warranty services at the expense of the consumer. ³Any products replaced by Lew's® will be new or remanufactured by a Lew's® Authorized Agent with the same or next model upgrade product. ⁴Lew's® will return warranted products to the consumer by reasonable means as determined by Lew's®. ⁵Express or expedited services are the responsibility of the consumer as is sending the product to Lew's® or Lew's® Authorized Agent, for Warranty Service. Lew's® and Lew's® Service Agents as authorized by Lew's® are the sole agents authorized to repair or replace Lew's® products under the terms of this warranty. Only written changes by an officer of Lew's® can alter the terms or conditions of this warranty.

This warranty gives you specific legal rights including additional rights extended by some states which do not allow certain exclusions and limitations. Any action brought against Lew's® for the purpose of settling a warranty dispute shall be brought and litigated in the State of Missouri, County of Greene.

Lew's® 3031 N. Martin, Springfield, MO 65803
Phone: 877-470-5397 FAX: 1-417-881-5387



Mach II SPEED SPIN® MH2 200, MH2 300



For professional cleaning and maintenance send your reel postage prepaid to:

LEW'S® 3031 N. Martin
Springfield, MO 65803
877-470-5397 lews.com



KEY NO.	PART NAMES	KEY NO.	PART NAMES	KEY NO.	PART NAMES	KEY NO.	PART NAMES	KEY NO.	PART NAMES
1	BODY	14	ANTI-REVERSE	28	WASHER	40	BALL BEARING	53X	SPOOL ASSEMBLY
1X	BODY ASSEMBLY	15	ANTI-REVERSE SWITCH	29	ROTOR	41	BAIL ARM	54	LINE WASHER
3	BALL BEARING	16	SCREW	29X	ROTOR HEAD ASSEMBLY	43	SPRING	55	DRAG WASHER
4	OSCILLATION GEAR	18	SPRING	30	BAIL HOLDER	44	BAIL ARM SUPPORT PIN	56	LINE WASHER
5	SCREW	19	SPRING	31	SCREW	45	WASHER	57	DRAG WASHER
6	SLIDE	20	BUSHING	32	KICK LEVER	46	ROTOR NUT	58	LINE WASHER
7	SCREW	21	PINION GEAR	33	BAIL ARM COVER	47	CLICK GEAR	59	DRAG WASHER
8	BALL BEARING	22	ONE-WAY CLUTCH	34	SCREW	48	WASHER-2	60	RING
9	DRIVE GEAR	23	ONE-WAY CLUTCH BUSHING	35	SCREW	49	BALL BEARING	61	DRAG KNOB
10	BALL BEARING	24	BALL BEARING	36	BUSHER	50	*BUSHING (MACH2 300 ONLY)	64	HANDLE ASSEMBLY WITH BALL BEARINGS
11	BODY SIDE	25	MAIN SHAFT	37	SLIDER	51	BALL BEARING		
12	SCREW	26	ONE-WAY CLUTCH FIXED PLATED	38	BAIL ASSEMBLY	52	RING		
13	SLIDE GUIDE PIN	27	SCREW	39	LINE ROLLER	53	SPOOL		