



MARK ROSE
Signature Series
SPEED SPIN®



MKR30

Speed Spin® reels are designed to be Lighter, *Faster* and **Stronger**

Driven by innovation – Fueled with Passion

Feel the Difference!

MARK ROSE
Signature Series
SPEED SPIN®

Reel Specifications

Model	Weight (oz.)	Ball Bearings	Gear Ratio	Line Capacity (yd./lb.)	IPT
MKR30	9.7	4 +1	5.1:1	195/8	23.5"

FEATURES:

- Rugged, lightweight graphite body
- Premium 5-bearing system with steel ball bearings and Zero-Reverse one-way clutch bearing
- Graphite rotor
- Anodized aluminum spool
- Fold down handle with SoftTouch knob
- Adjustable for right or left hand retrieve
- Lightweight and balanced aluminum bail
- Precision cut solid brass pinion gear
- Oversized multi-disc drag system for smooth performance
- Speed Lube™ for exceptional smoothness and uninterrupted performance in all weather conditions from extreme heat to freezing cold

5 Bearing System

Maintenance and Care

While applying lubricant to your Mark Rose Speed Spin® reel, avoid using multi-purpose oil. Use lightweight silicone based oils or greases made for fishing reels. Apply oil to all bearings and the shaft. Apply grease to the bushings, pinion gear, drive gear, and oscillation gear.

After usage your reel should be inspected for dirt or sand and cleaned if excessive buildup is present. If your reel has come in contact with saltwater it is important to flush all parts with water, dry and re-lubricate your reel. Through diligent cleaning and maintenance your Lew's® reel will provide you with years of reliability and sound performance.

One Year Limited Warranty

Lew's® Warrants its products¹ to withstand normal² use for the purpose designed and intended when manufactured for a period of one (1) year from the original retail sale date to the original retail consumer. Lew's® will at its option repair or replace³ Lew's® products when required for the warranty period and return⁴ the product to the owner at no additional⁵ cost to the owner.

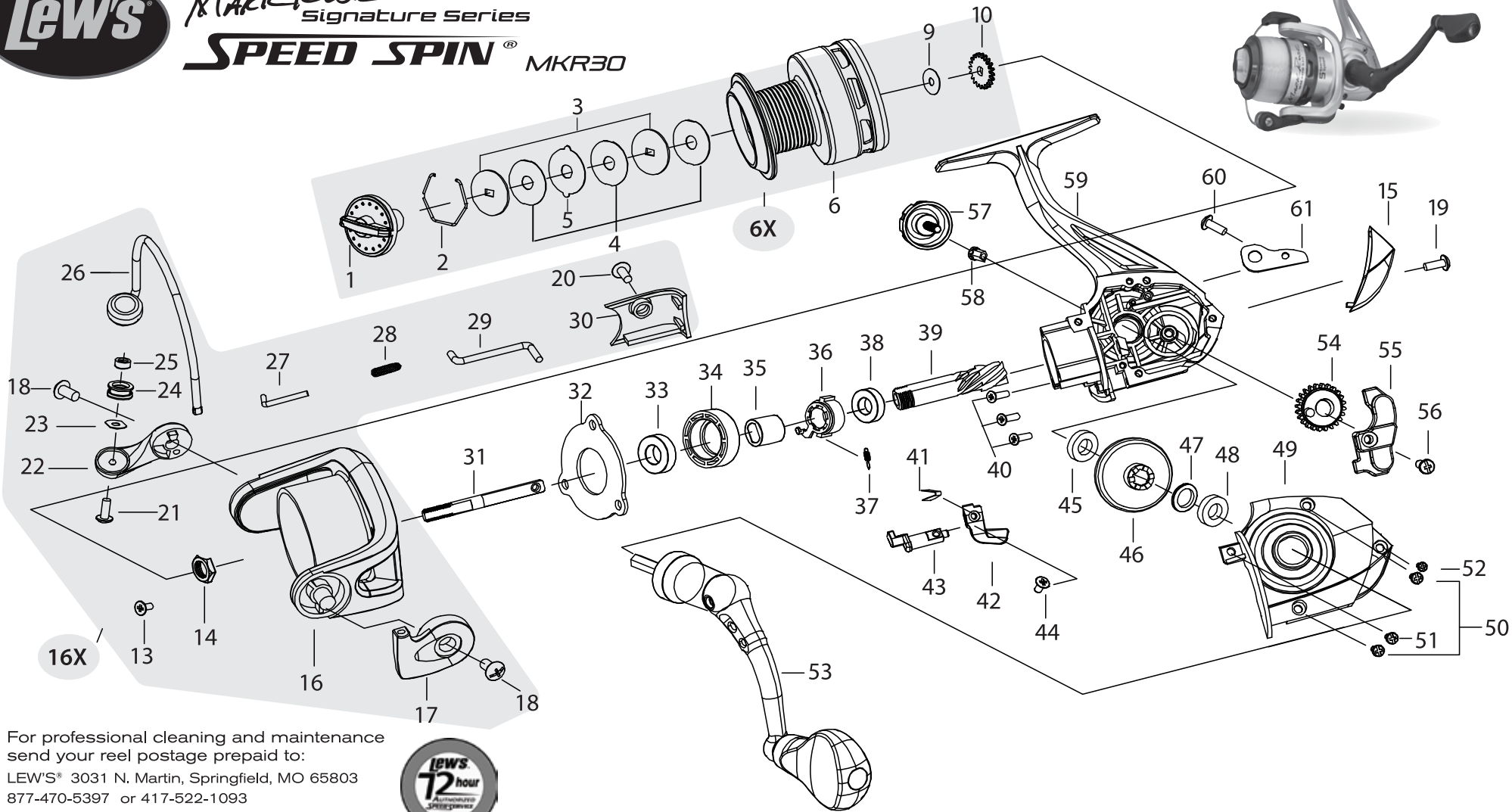
¹Numerous products have been manufactured under variations of the Lew's® name and under the Lew's® Logo by multiple businesses over the past 50 years. This warranty is specifically for products manufactured on behalf of Lew's® of Springfield, Missouri, USA since January 1, 2010. Lew's® products manufactured by or on behalf of other entities prior to January 1, 2010 are not covered by this warranty. In all circumstances, this Warranty is Limited in Value to the original retail value of the product and is limited to actual damage to the Lew's® product and only the Lew's® product. ²Loss of a product, and loss/damage of a product or parts due to the attempted repair or servicing of a Lew's® product by any person or business other than Lew's® or Lew's® Authorized Warranty Service Agent, and damage caused by or resulting from abuse, misuse, lack of recommended maintenance, accident, acts of God, and shipping damages occurring in transit to Lew's® or Lew's® Authorized Agent are outside the scope of Lew's® Limited Warranty and will be repaired through Lew's® after warranty services at the expense of the consumer. ³Any products replaced by Lew's® will be new or remanufactured by a Lew's® Authorized Agent with the same or next model upgrade product. ⁴Lew's® will return warranted products to the consumer by reasonable means as determined by Lew's®. ⁵Express or expedited services are the responsibility of the consumer as is sending the product to Lew's® or Lew's® Authorized Agent, for Warranty Service. Lew's® and Lew's® Service Agents as authorized by Lew's® are the sole agents authorized to repair or replace Lew's® products under the terms of this warranty. Only written changes by an officer of Lew's® can alter the terms or conditions of this warranty.

This warranty gives you specific legal rights including additional rights extended by some states which do not allow certain exclusions and limitations. Any action brought against Lew's® for the purpose of settling a warranty dispute shall be brought and litigated in the State of Missouri, County of Greene.

Lew's® 3031 N. Martin, Springfield, MO 65803
Phone: 877-470-5397 FAX: 1-417-881-5387



MARK ROSE
Signature Series
SPEED SPIN® MKR30



For professional cleaning and maintenance send your reel postage prepaid to:

LEW'S® 3031 N. Martin, Springfield, MO 65803
877-470-5397 or 417-522-1093

lews.com



KEY NO.	PART NAMES	KEY NO.	PART NAMES	KEY NO.	PART NAMES	KEY NO.	PART NAMES	KEY NO.	PART NAMES	KEY NO.	PART NAMES
1	DRAG KNOB	14	NUT	24	LINE ROLLER	34	BALL BEARING KEEPER	44	ANTI-REVERSE SCREW	54	OSCILLATION GEAR
2	STOPPER SPRING	15	BODY CAP	25	BUSHING	35	INNER RING	45	BODY BALL BEARING	55	SLIDER
3	KEY WASHER	16	ROTOR	26	BAIL ARM SET	36	ONE-WAY CLUTCH BEARING	46	MAIN GEAR	56	SLIDER SCREW
4	DRAG WASHER	16X	ROTOR HEAD ASSEMBLY	27	ARM LEVER SHAFT	37	ONE-WAY CLUTCH SPRING	47	GEAR WASHER	57	HANDLE ARM CAP
5	EARED WASHER	17	BAIL HOLDER	28	SPRING	38	SHAFT BALL BEARING	48	BODY COVER BALL BEARING	58	WASHER
6	SPOOL	19	BAIL HOLDER & ARM LEVER SCREW	29	KICK LEVER	39	PINION GEAR	49	BODY COVER	59	BODY
6X	SPOOL ASSEMBLY	20	CAP SCREW	30	ARM LEVER CAP	40	SHAFT BALL BEARING SCREW	50	BODY COVER SCREW	60	BODY BALANCE SLIDER SCREW
9	CLICK WASHER	21	LINE ROLLER SCREW	31	MAIN SHAFT	41	ANTI-REVERSE SPRING	51	BODY COVER SCREW	61	BALANCE SLIDER
10	CLICK GEAR	22	ARM LEVER	32	BALL BEARING RETAINER	42	ANTI-REVERSE SWITCH	52	BODY COVER SHORT SCREW	62	BODY CAP
13	SCREW	23	WASHER	33	BALL BEARING	43	ANTI-REVERSE SHAFT	53	HANDLE SET	63	CAP SCREW