



SSG100, SSG200, SSG300, SSG400



Speed Spin reels are designed to be **Lighter, Faster and Stronger**

Driven by innovation – Fueled with Passion
Feel the Difference!



Reel Specifications

Model	Weight (oz.)	Gear Ratio	Line Capacity (yd./lb.)	IPT
SSG100	8.2	6.2:1	120/6	30"
SSG200	8.4	6.2:1	120/8	31"
SSG300	9.1	6.2:1	145/10	32"
SSG400	9.6	6.2:1	185/12	35"

FEATURES:

- Rugged graphite body and sidecover
- Smooth 10-bearing system with 9 ball bearings and Zero-Reverse one-way clutch bearing
- Double anodized knurled aluminum spool
- Graphite skeletal rotor
- Aluminum folding handle with Lew's® custom SoftTouch handle knob
- Speed Lube™ for exceptional smoothness and uninterrupted performance in all weather conditions
- Smooth fully adjustable composite multi-disc drag system
- Oversized line roller to reduce line twist



Maintenance and Care



While applying lubricant to your Tournament Speed Spin® reel, avoid using multi-purpose oil. Use lightweight silicone based oils or greases made for fishing reels. Apply oil to all bearings and main shaft. Apply grease to the bushings, pinion gear, and drive gear.

After usage your reel should be inspected for dirt or sand and cleaned if excessive buildup is present. If your reel has come in contact with saltwater it is important to flush all parts with water, dry and re-lubricate your reel. Through diligent cleaning and maintenance your Lew's® reel will provide you with years of reliability and sound performance.

For professional cleaning and maintenance send your reel postage prepaid to:

LEW'S® 3031 N. Martin, Springfield, MO 65803

877-470-5397 lews.coms

One Year Limited Warranty

Lew's® Warrants its products¹ to withstand normal² use for the purpose designed and intended when manufactured for a period of one (1) year from the original retail sale date to the original retail consumer. Lew's® will at its option repair or replace³ Lew's® products when required for the warranty period and return⁴ the product to the owner at no additional⁵ cost to the owner.

¹Numerous products have been manufactured under variations of the Lew's® name and under the Lew's® Logo by multiple businesses over the past 50 years. This warranty is specifically for products manufactured on behalf of Lew's® of Springfield, Missouri USA since January 1, 2010. Lew's® products manufactured by or on behalf of other entities prior to January 1, 2010 are not covered by this warranty. In all circumstances, this Warranty is Limited in Value to the original retail value of the product and is limited to actual damage to the Lew's® product and only the Lew's® product. ²Loss of a product, and loss/damage of a product or parts due to the attempted repair or servicing of a Lew's® product by any person or business other than Lew's® or Lew's® Authorized Warranty Service Agent, and damage caused by or resulting from abuse, misuse, lack of recommended maintenance, accident, acts of God, and shipping damages occurring in transit to Lew's® or Lew's® Authorized Agent are outside the scope of Lew's® Limited Warranty and will be repaired through Lew's® after warranty services at the expense of the consumer. ³Any products replaced by Lew's® will be new or remanufactured by a Lew's® Authorized Agent with the same or next model upgrade product. ⁴Lew's® will return warranted products to the consumer by reasonable means as determined by Lew's®. ⁵Express or expedited services are the responsibility of the consumer as is sending the product to Lew's® or Lew's® Authorized Agent, for Warranty Service. Lew's® and Lew's® Service Agents as authorized by Lew's® are the sole agents authorized to repair or replace Lew's® products under the terms of this warranty. Only written changes by an officer of Lew's® can alter the terms or conditions of this warranty.

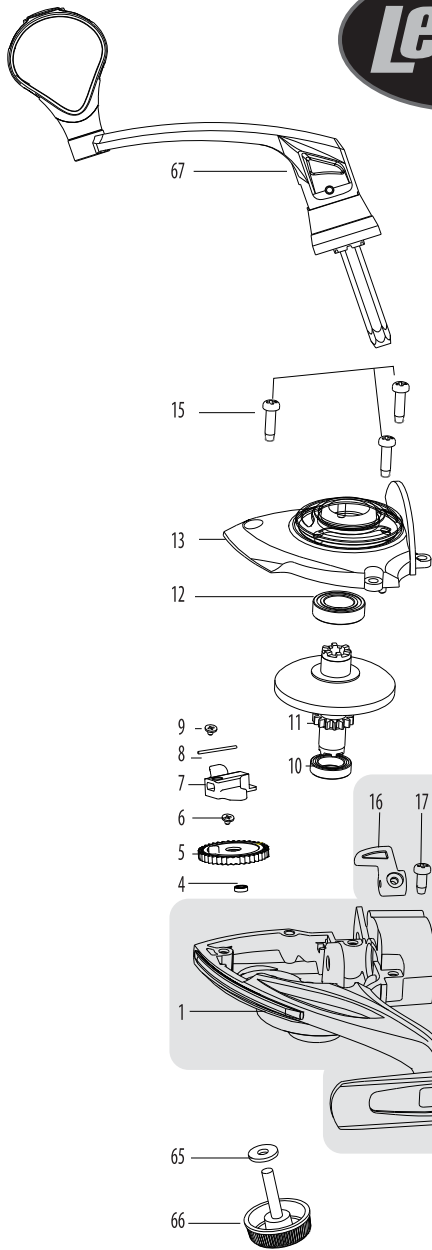
This warranty gives you specific legal rights including additional rights extended by some states which do not allow certain exclusions and limitations. Any action brought against Lew's® for the purpose of settling a warranty dispute shall be brought and litigated in the State of Missouri, County of Greene.

Lew's® 3031 N. Martin, Springfield, MO 65803 Phone 877-470-5397 FAX: 1-417-881-5387

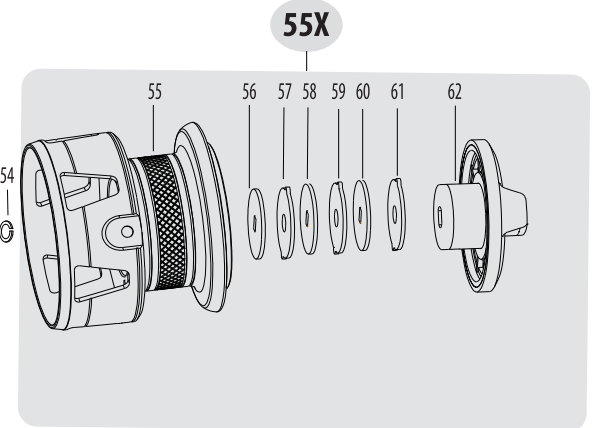
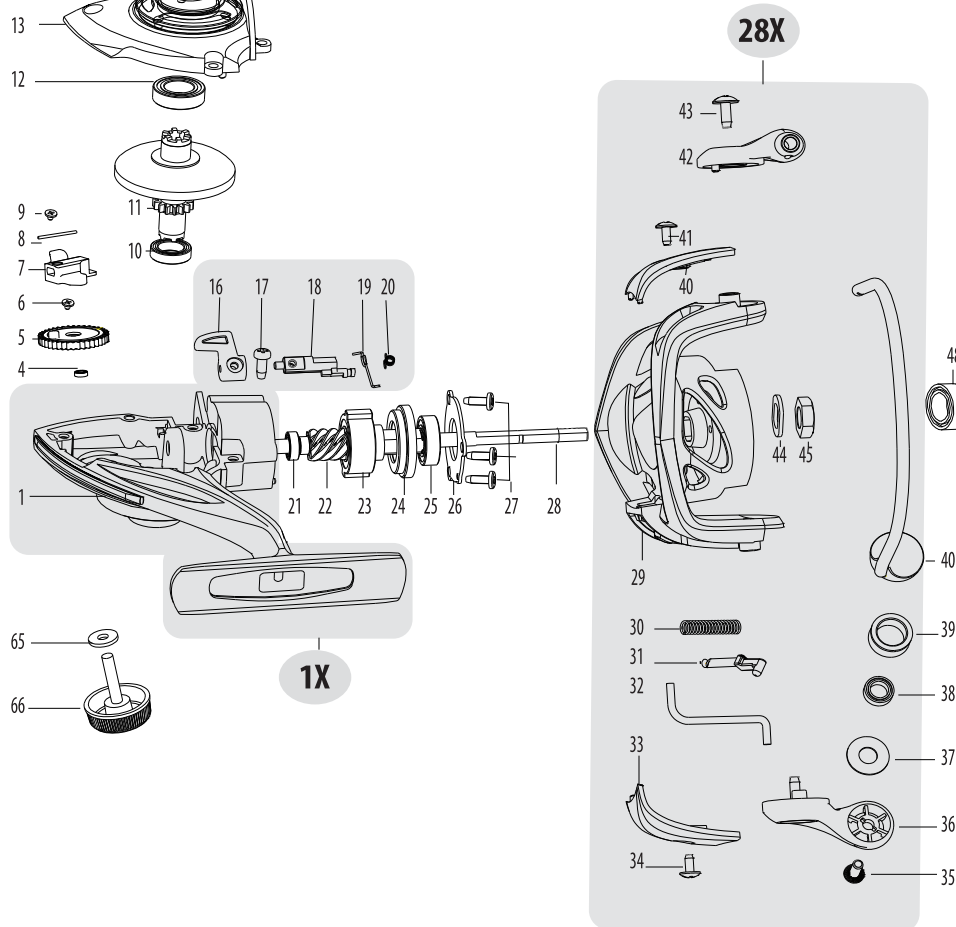


SPEED SPIN[®]

SSG100, SSG200, SSG300, SSG400



KEY NO.	PART NAMES	KEY NO.	PART NAMES	KEY NO.	PART NAMES	KEY NO.	PART NAMES	KEY NO.	PART NAMES		
1	BODY	13	BODY SIDE	25	BALL BEARING	35	SCREW	46	WASHER	59	DRAG WASHER
1X	BODY ASSEMBLY	15	SCREW	26	ONE WAY CLUTCH FIXED PLATE	36	BAIL ARM	48	CLICK GEAR	60	LINE WASHER
4	BALL BEARING	16	ANTI-REVERSE LEVER	27	SCREW	37	BALL BEARING	50	WASHER	61	DRAG WASHER
5	OSCILLATION GEAR	17	SCREW	28	MAIN SHAFT	38	LINE ROLLER	51	BALL BEARING	62	DRAG KNOB
6	SCREW	18	ANTI-REVERSE	29	ROTOR	39	BAIL HOLDER COVER	52	BUSHING	65	WASHER
7	SLIDE	19	SPRING	29X	ROTOR HEAD ASSEMBLY	40	SCREW	53	BALL BEARING	66	HANDLE CAP
8	SLIDE GUIDE PIN	20	SPRING	30	SPRING	41	BAIL HOLDER	54	MAIN SHAFT RING	67	HANDLE ASSEMBLY WITH 2-BALL BEARINGS
9	SCREW	21	BUSHING	31	BAIL ARM SUPPORT PIN	42	SCREW	55X	SPOOL ASSEMBLY		
10	BALL BEARING	22	PINION GEAR	32	KICK LEVER	43	WASHER	56	LINE WASHER		
11	DRIVE GEAR	23	ONE-WAY CLUTCH	33	BAIL ARM COVER	44	ROTOR NUT	57	DRAG WASHER		
12	BALL BEARING	24	ONE WAY CLUTCH BUSHING	34	SCREW	45	BAIL ASSEMBLY	58	LINE WASHER		



For professional cleaning and maintenance send your reel postage prepaid to:
 Lew's 3031 N. Martin Ave.
 Springfield, MO 65803
 Phone: 877-470-5397
 FAX: 1-417-881-5387
 lews.com
 E-16-1

