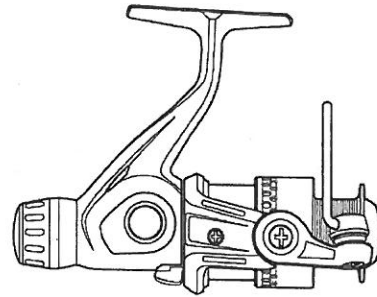


LEW'S®

SPEED SPIN®

100R/200R



The Speed Spin spinning reel was designed for one purpose:
Dominating each and every fish

Reel Specifications

Model	Weight	Gear Recovery	Line Capacity	IPT
SS100R	7.4 oz	5.2:1	130/ 6lb	22
SS200R	9.1 oz	5.2:1	140/ 8lb	24

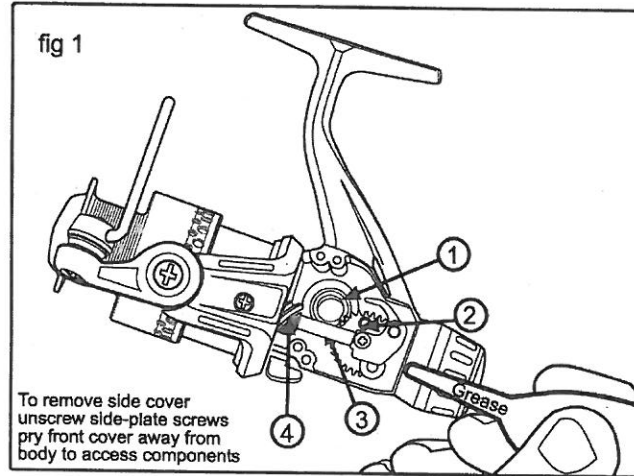
- Rugged graphite body, rotor, side cover
- Soft Touch finish for comfort and slip resistance
- Drilled, cold forged, and anodized aluminum spool
- Heavy duty aluminum bail wire
- Oversized line roller to reduce line twist
- Smooth fully adjustable composite drag system
- Quality brass pinion gearing
- Premium 8-bearing system
- Zero reverse one-way clutch bearing
- Extra forged aluminum spool designed for braid, shallow spool design
- Machine cut aluminum handle with performance handle knob
- Adjustable for right or left hand retrieve



Maintenance and care

When applying lubricant to your Speed Spool reel, avoid using multi-purpose oil. Use lightweight oils or greases made for fishing reels. Apply oil to all bearings, the crank shaft, and the worm gear. Apply grease to the bushings, pinion gears, drive gears, and crank gears. fig 1

After usage your reel should be inspected for dirt or sand and cleaned if excessive buildup is present. If your reel has come in contact with saltwater it is important to flush all parts with water, dry and re-lubricate your reel. Through diligent cleaning and maintenance your Lew's reel will provide you with years of reliability and sound performance.



For professional cleaning and maintenance send your reel postage prepaid to :

LEW'S®
2333 E. Bennett St.
Springfield, MO
65804

(417) 881-5390
www.lews.com

©

One Year Limited Warranty

Lew's® warrants its products¹ to withstand normal² use for the purpose designed and intended when manufactured for a period of one (1) year from the original retail sale date to the original retail consumer. Lew's® will at its option repair or replace³ Lew's® products when required for the warranty period and return⁴ the product to the owner at no additional⁵ cost to the owner.

¹Numerous products have been manufactured under variations of the Lew's name and under the Lew's® Logo by multiple businesses over the past 50 years. This warranty is specifically for products manufactured on behalf of Lew's® of Springfield, Missouri USA since January 1, 2010. Lew's® products manufactured by or on behalf of other entities prior to January 1, 2010 are not covered by this warranty. In all circumstances, this Warranty is Limited in value to the original retail value of the product and is Limited to actual damage to the Lew's® product and only the Lew's® product. ²Loss of a product, and loss / damage of a product or parts due to the attempted repair or servicing of a Lew's® product by any person or business other than Lew's® or Lew's® Authorized Warranty Service Agent, and damage caused by or resulting from abuse, misuse, lack of recommended maintenance, accident, acts of God, and shipping damages occurring in transit to Lew's® or Lew's® Authorized Agent are outside the scope of Lew's® Limited Warranty and will be repaired through Lew's® after warranty services at the expense of the consumer. ³Any products replaced by Lew's® will be new or remanufactured by a Lew's® Authorized Agent with the same or next model upgrade product. ⁴Lew's® will return warranted products to the consumer by reasonable means as determined by Lew's®. ⁵Express or expedited services are the responsibility of the consumer as is sending the product to Lew's®, or Lew's® Authorized Agent, for Warranty Service. Lew's® and Lew's® Service Agents as authorized by Lew's® are the sole agents authorized to repair or replace Lew's® products under the terms of this warranty. Only written changes by an officer of Lew's® can alter the terms or conditions of this warranty.

This Warranty gives you specific legal rights including additional rights extended by some States which

Lew's® - 2333 E Bennett - Springfield, MO 65804 - Phone 1-417-881-LEWS (5397) - FAX 1-417-881-5387

